

SPECIFICATIONS



Air Handling Unit	(345-060-XYZ / 345-065-000) ¹	MT 060
Nominal Air Volume ²		1,500 l/s
Nominal Cooling Capacity ³	4 row	33.3 kW
	6 row	40.5 kW
	8 row	46.7 kW
Nominal Heating Capacity ⁴	1 row	40.0 kW
	2 row	64.6 kW
Fan type		EC plug (x1)
Fan motor size (3ph.)		1700 W / 355 mm dia.
Unit Max. running amps		2.7 A /ph.
Protection Rating		IP4X
Power supply ⁴		3 ph. 400 V ac 50 Hz + N + E
RCD type recommended		type A, 30 mA, 3 pole
Net weight – fan coil section		197 – 242 kg ⁶
Net weight – plenum section – bare		120 kg
Net weight – plenum section – damper mix		135 kg
Shipping weight – fan coil section		232 – 277 kg ⁶
Shipping weight – plenum section – bare		155 kg
Shipping weight – plenum section – damper mix		170 kg

Accessories:

Filter - rated EU4/G4 disposable	019-000-158 594 x 594 x 44 (x2)
Filter - rated EU4/G4 washable	019-400-140 594 x 594 x 46 (x2)
Filter - rated F7 bag type	019-400-153 592 x 592 x 600 (x2)
Filter - rated F9 cartridge type	019-400-160 592 x 592 x 292 (x2)

Optional:

Chilled water coil 1/2" connections	4 / 6 / 8 row
Hot water coil 1/2" connections	1 / 2 row

Refer to temperzone for other options, eg remote sensors

¹ X = cooling coil rows, Y = heating coil rows and Z = handing. (Fan Coil Section / Plenum Section {bare})

² Based on 2.5 m/s coil face velocity

³ Cooling at nominal air flow, EAT 27 °C db / 19 °C wb, EWT 6°C, LWT 13°C.

⁴ Heating at nominal air flow, EAT 15 °C, EWT 80°C, LWT 60°C.

⁵ Voltage range: 380–440V

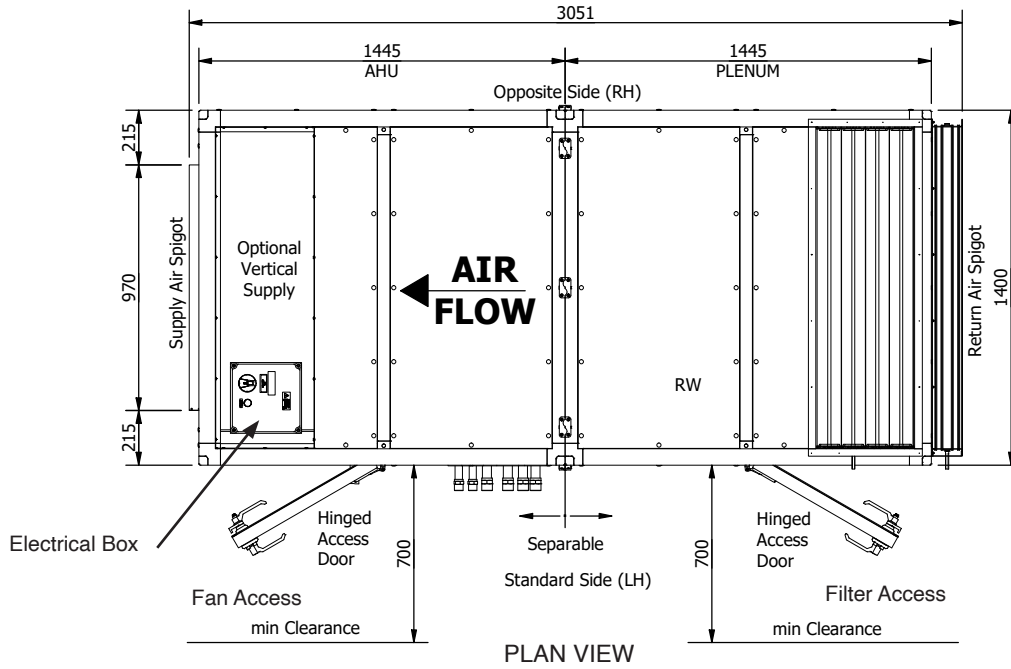
⁶ Depending on coil configuration; refer table page 2



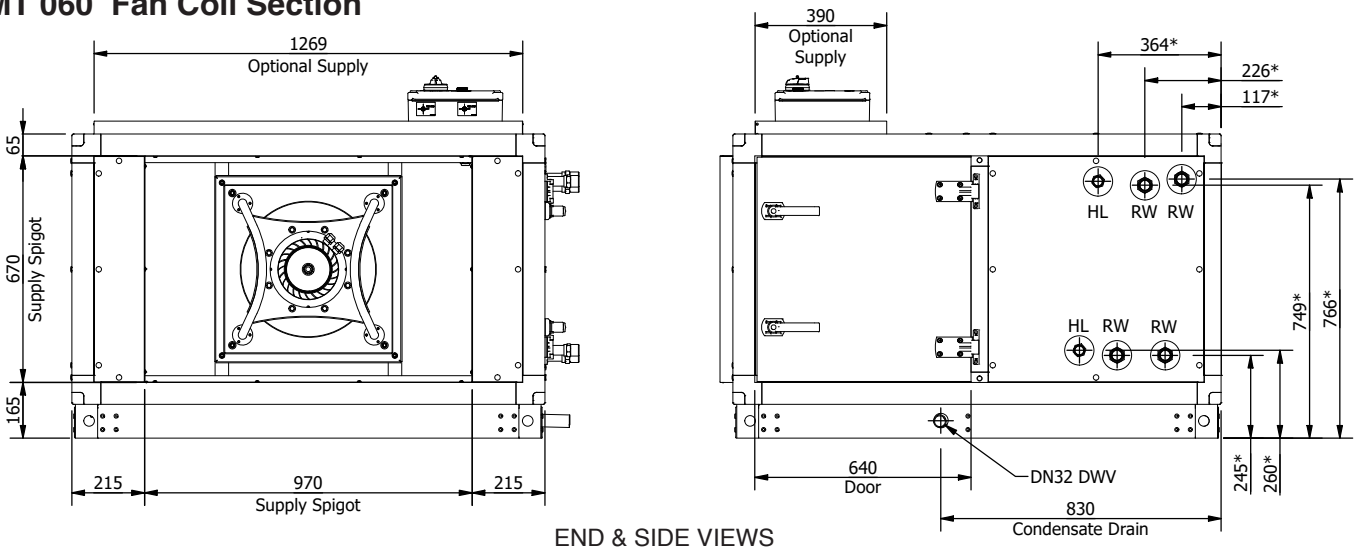
MT 060 Complete Air Handling Unit

Not to Scale

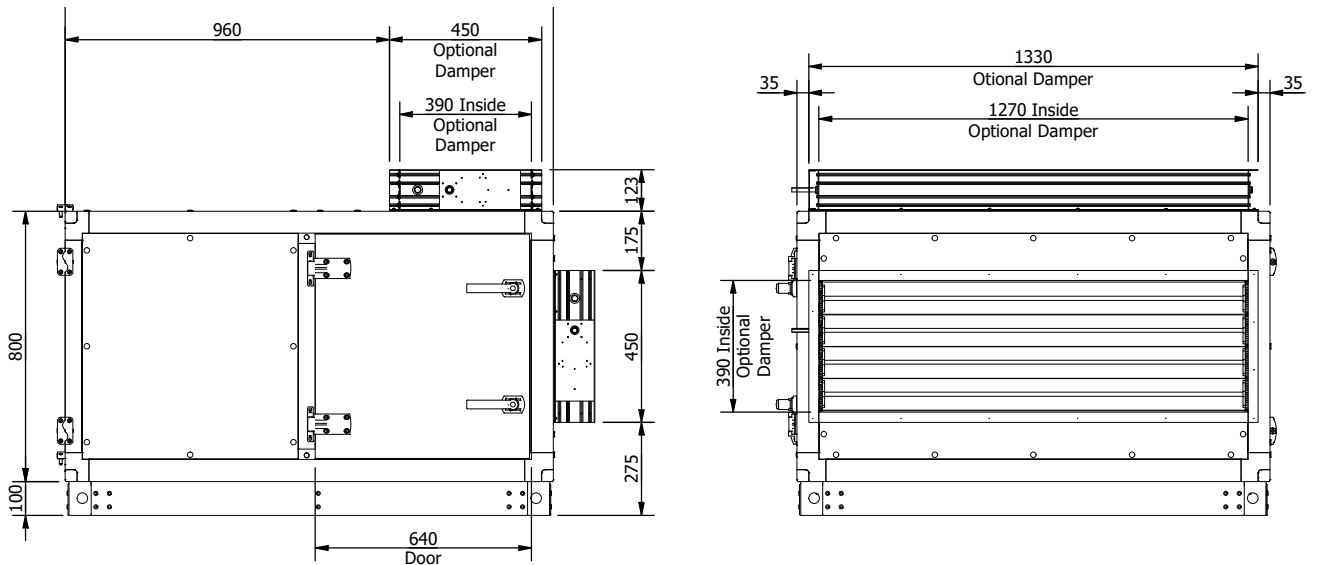
Pipe Connections
1/2" male BSP



MT 060 Fan Coil Section

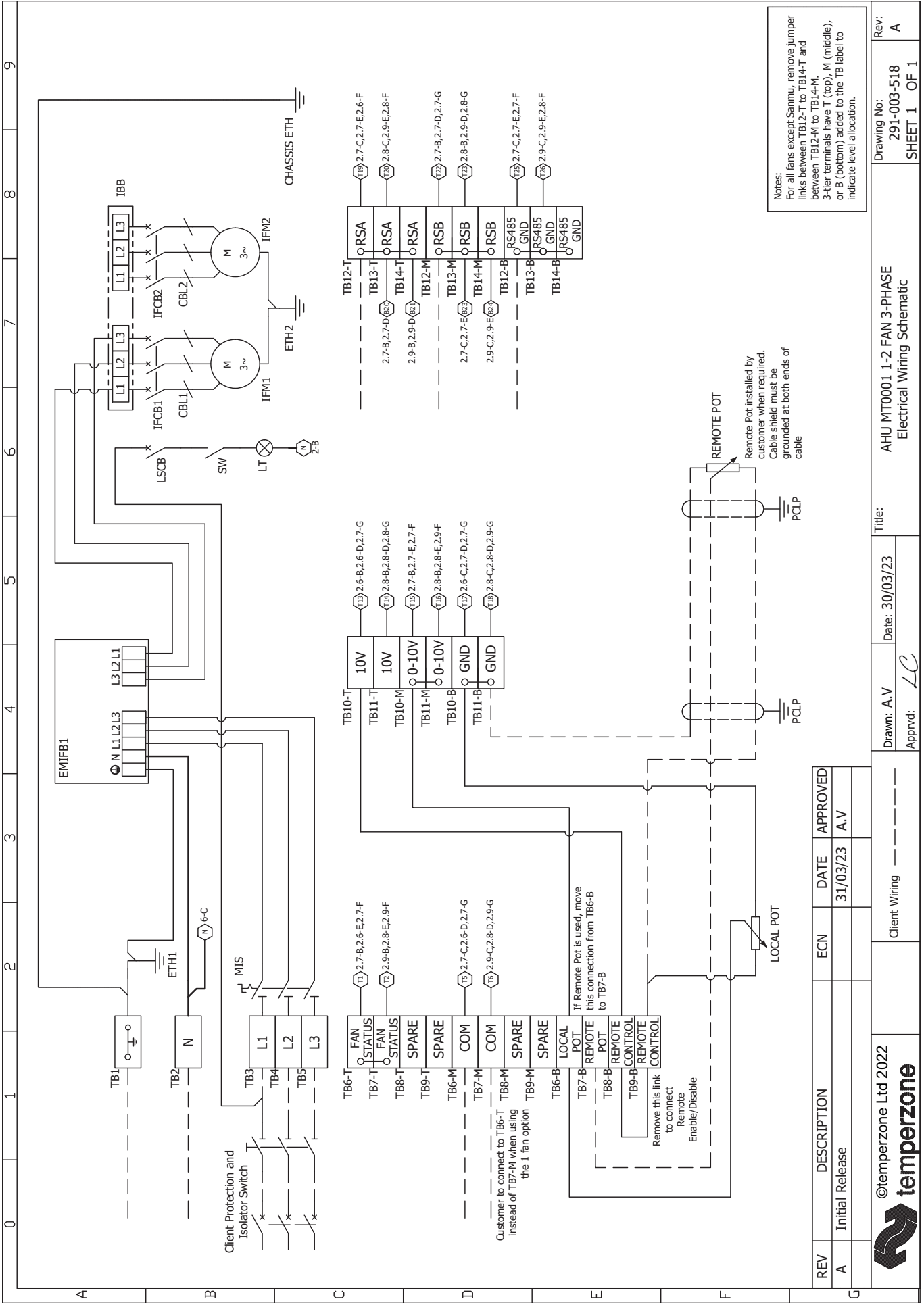


MT 060 Plenum Section



NOTE
Specifications are subject to change without notice due to the manufacturer's ongoing research and development programme.

WIRING




REV	DESCRIPTION	ECN	DATE	APPROVED
A	Initial Release		31/03/23	A.V

©temperzone Ltd 2022

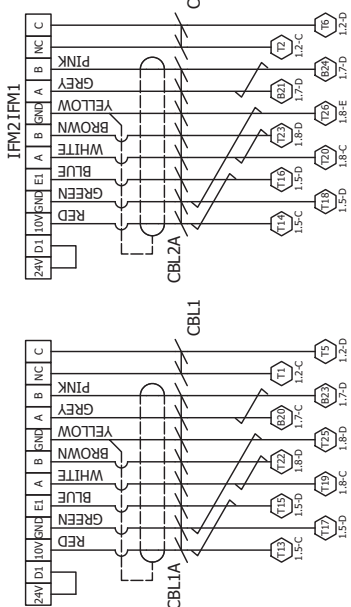
Drawn: A.V
 Date: 30/03/23
 Title: AHU MT0001 1-2 FAN 3-PHASE Electrical Wiring Schematic

Rev: A
 Drawing No: 291-003-518
 SHEET 1 OF 1

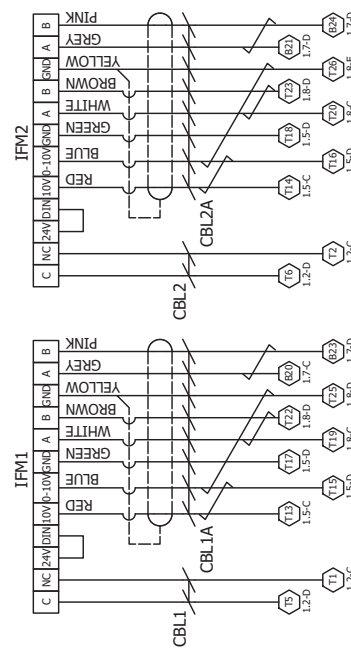
	0	1	2	3	4	5	6	7	8	9			
A	CBL CABLE	EMIFB MAINS EMI FILTER BOARD	ETH EARTH STUD	IBB INTERCONNECTING BUSBAR	IFCB INDOOR FAN CIRCUIT BREAKER	IFM INDOOR FAN MOTOR	LSCB LIGHT SWITCH CIRCUIT BREAKER	LT CLASS II LIGHT FITTING	MIS MAIN ISOLATION SWITCH	PCLP SHIELD GROUNDING CLIP	POT POTENTIOMETER	SW SWITCH	TB TERMINAL BLOCK
B													
C													
D													
E													
F													
G	REV	DESCRIPTION	ECN	DATE	APPROVED								
	A	Initial Release		31/03/23	A.V								
	©temperzone Ltd 2022					Client Wiring			Title: AHU MT0001 1-2 FAN 3-PHASE Electrical Wiring Schematic		Drawing No: 291-003-518		Rev: A
						Date: 30/03/23		Drawn: A.V		SHEET 2 OF 2		Apprvd: LC	

IFM OPTIONS

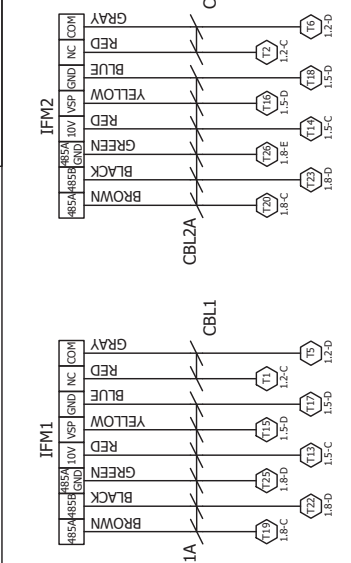
Note: Fan options will change subject to fan supply availability



OPTION A - Zielh Abegg



OPTION B - Rosenberg



OPTION C - Sanmu

