

SPECIFICATIONS



Air Handling Unit	(345-450-XYZ / 345-455-000) ¹	MT 450
Nominal Air Volume ²		12 500 l/s
Nominal Cooling Capacity ³	4 row	305 kW
	6 row	35 kW
	8 row	425 kW
Nominal Heating Capacity ⁴	1 row	277 kW
	2 row	464 kW
Fan type		EC plug (x4)
Fan motor size (3ph.)		3500 W / 630 mm dia.
Unit Max. running amps (total)		22.8 A /ph.
Protection Rating		IP4X
Power supply ⁵		3 ph. 400 V ac 50 Hz + N + E
RCD type recommended		type A, 30 mA, 3 pole
Net weight – fan coil section		937 – 1330 kg ⁶
Net weight – plenum section – bare		387 kg
Net weight – plenum section – damper mix		418 kg
Shipping weight – fan coil section		1079 – 1472 kg ⁶
Shipping weight – plenum section – bare		477 kg
Shipping weight – plenum section – damper mix		508 kg

Accessories:

Filter - rated EU4/G4 disposable	019-000-158 594 x 594 x 44 (x15)
Filter - rated EU4/G4 washable	019-400-140 594 x 594 x 46 (x15)
Filter - rated F7 bag type	019-400-153 592 x 592 x 600 (x15)
Filter - rated F9 cartridge type	019-400-160 592 x 592 x 292 (x15)

Optional:

Chilled water coil 1/2"	4 / 6 / 8 row
Hot water coil 1/2"	1 / 2 row

Refer to temperzone for other options, eg remote sensors

¹ X = cooling coil rows, Y = heating coil rows and Z = handling. (Fan Coil Section / Plenum Section {bare})

² Based on 2.5 m/s coil face velocity

³ Cooling at nominal air flow, EAT 27 °C db / 19 °C wb, EWT 6°C, LWT 13°C.

⁴ Heating at nominal air flow, EAT 15 °C, EWT 80°C, LWT 60°C.

⁵ Voltage range: 380–440V

⁶ Depending on coil configuration; refer table below.

MT450 AHU	
COIL CONFIG	WEIGHT (kg)
4C 1H	1091
6C 1H	1242
4C 2H	1179
6C 2H	1330
4C 0H	937
6C 0H	1088

MT450 PLENUM	
CONFIGURATION	WEIGHT (kg)
HORIZONTAL BARE	387
VERTICAL BARE	387
DAMPER MIX	418

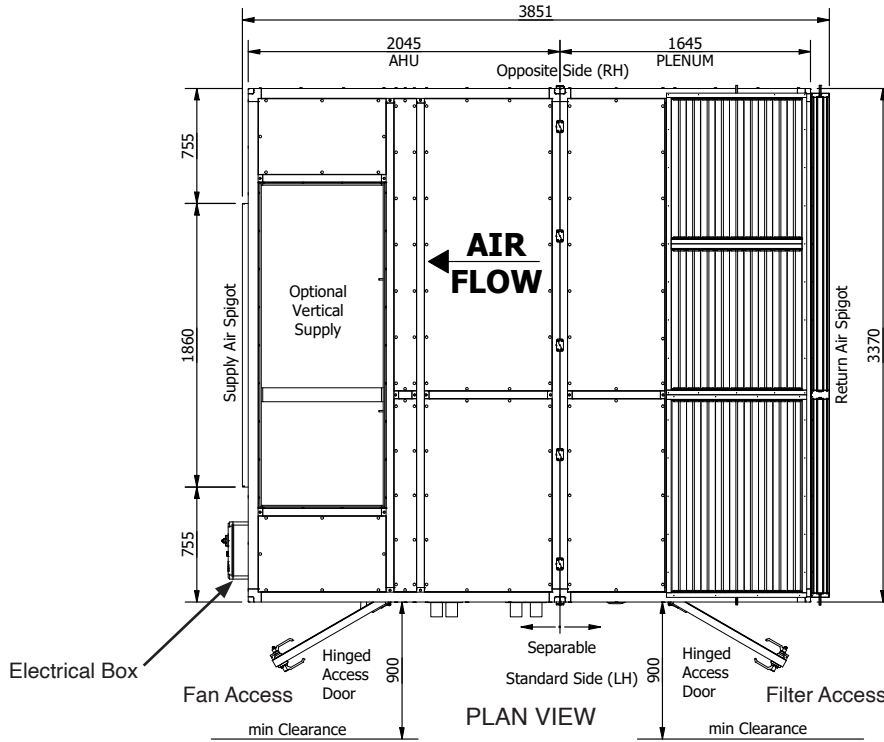
Note: Weights (net) are approximate



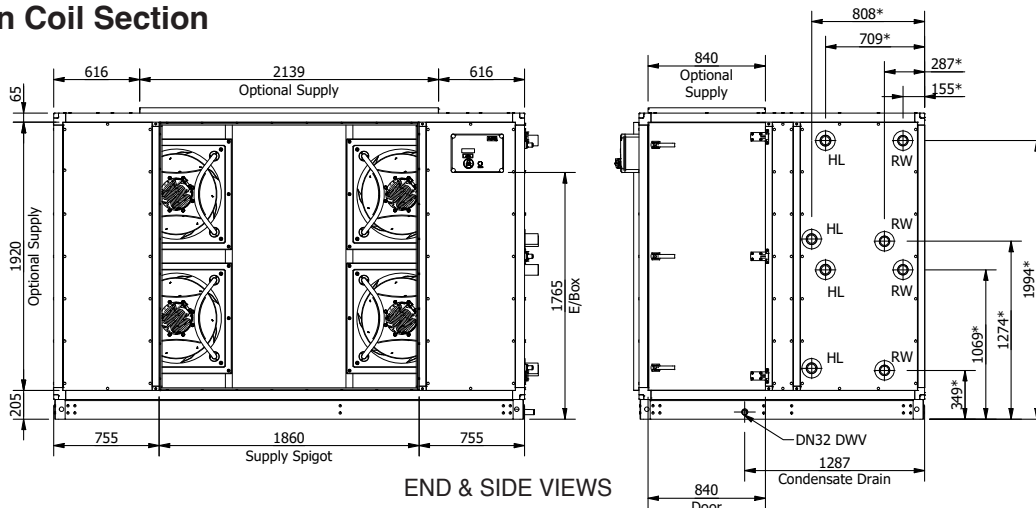
MT 450 Complete Air Handling Unit

Not to Scale

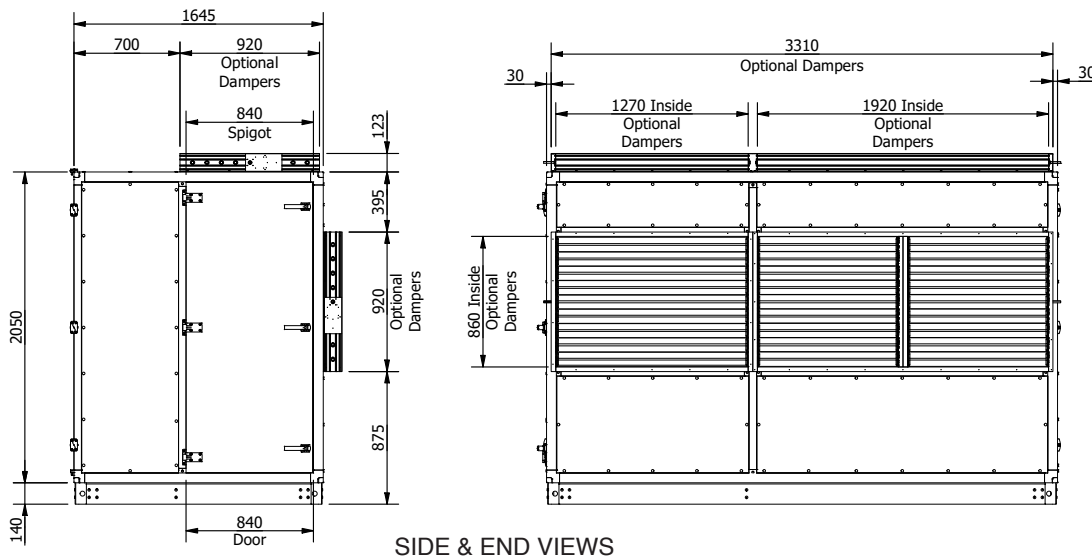
Pipe Connections
1/2" male BSP



MT 450 Fan Coil Section

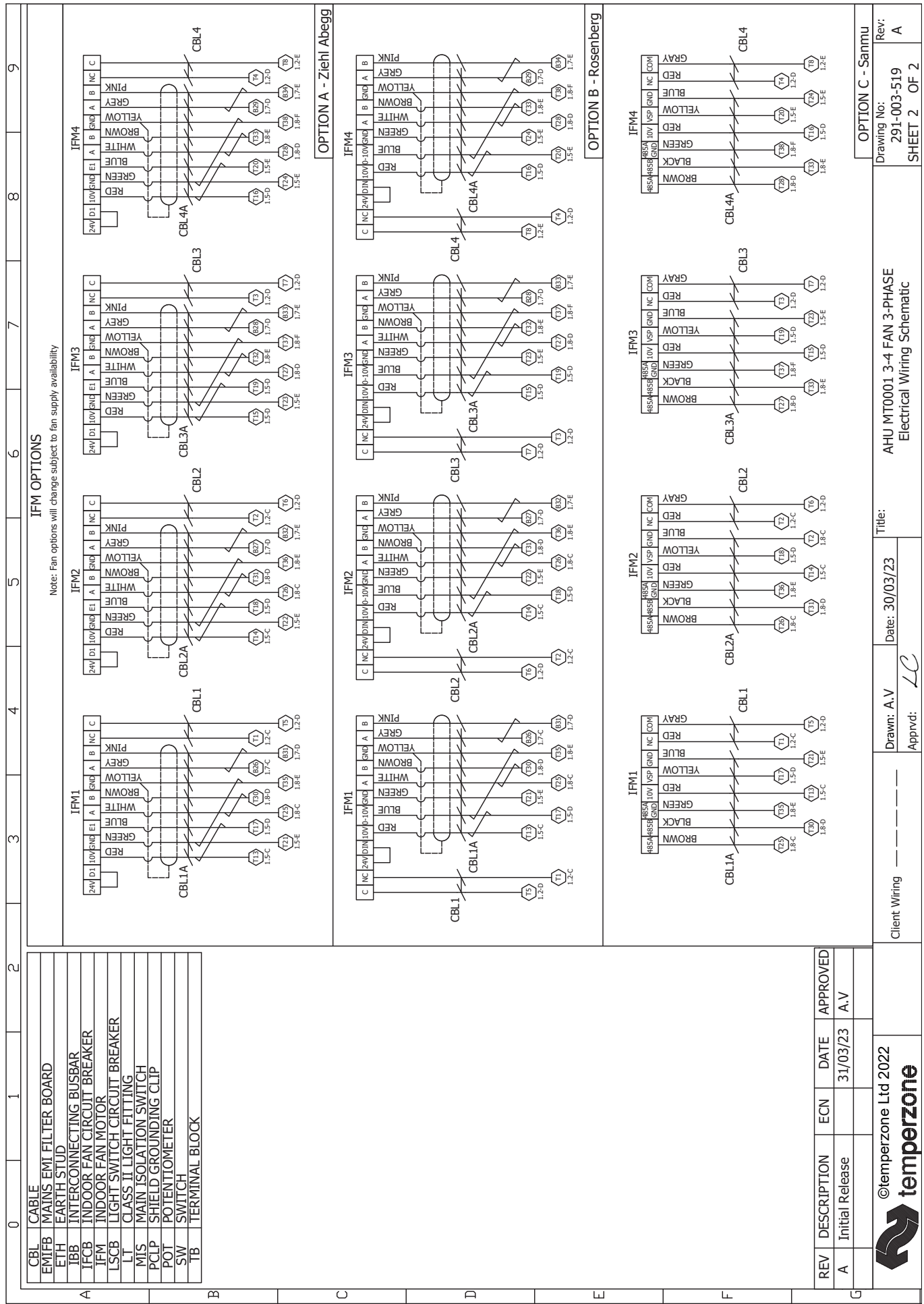


MT 450 Plenum Section



NOTE

Specifications are subject to change without notice due to the manufacturer's ongoing research and development programme.



Client Wiring

Drawn: A.V
Date: 30/03/23
Appvd: LC

Title:
AHU MT0001 3-4 FAN 3-PHASE
Electrical Wiring Schematic

Rev: A
Drawing No: 291-003-519
SHEET 2 OF 2

OPTION C - Sanmu

©temperzone Ltd 2022
temperzone

REV	DESCRIPTION	ECN	DATE	APPROVED
A	Initial Release		31/03/23	A.V