

SPECIFICATIONS



Model	CWP 90RELSFY-S2
Item No.	573-009-002
Cooling capacity (net) *	9.9 kW
Cooling capacity range (gross)	4.1 kW ~ 10 kW
Heating capacity *	8.9 kW
Heating capacity range	3.7 kW ~ 8.9 kW
Supplementary Electric Heat	3.0 kW
Electrical input - cooling	2.6 kW
Electrical input - heating (reverse cycle)	2.4 kW
EER / AEER (cooling) *	3.80 / 3.74
COP / ACOP (heating) *	3.69 / 3.63
Unit Controller	UC8
Refrigerant	R32
Refrigerant charge	0.9 kg
Minimum floor area (@2.4m below ceiling diffuser)	1.6 m ²
Compressor type	inverter scroll
Water connections	3/4" male BSP
Nominal EWT on cooling	30°C
Nominal EWT on heating	20°C
Nominal Water Flow @ EWT – LWT = 5k	0.6 l/s
Entering system pressure drop @ nominal flow	62 kPa (9 psi)
Min. water temp. Heat cycle at nominal flow	10°C
Min. water temp. Cool cycle at nominal flow	15°C
Min. water temp. Cool cycle with water regulating valve	5°C
Max. EWT Heat cycle at nominal flow	30°C
Max. EWT Cool cycle at nominal flow	50°C
Min. water flow @ nominal EWT	0.17 l/s
Max. water pressure – excluding hoses	3200 kPa (464 psi)
Power supply **	1ph. 230V ac 50Hz + N + E
Compressor run amps at rating cond.*	10.5 A
Indoor fan motor size	500 W (EC)
Nominal airflow at rating conditions	375 l/s
Indoor fan motor (1ph.) - full load	4 A
Control circuit breaker (internal)	10 A
Running amps (total system)	11 A
Max. running amps (total system, incl.elec heat)	15.5 A
RCD type recommended	type F, 30mA, 1 pole
Net weight (excl. water)	90 kg

Accessories:

Water hoses 600mm long, rated 1720 kPa (250psi)	3/4" female BSP, optional
Replacement filter - rated EU2/G2	119-000-087 387x405x13

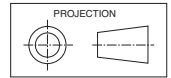
Optional:

TZT-100 Room temperature controller	201-000-350
-------------------------------------	-------------

Refer to temperzone for other options, eg remote sensors

* Tested in accordance with AS/NZS 3823

** Voltage range: 216–253V

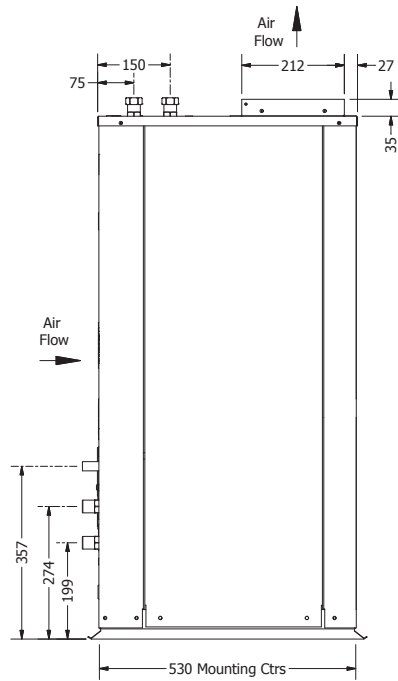
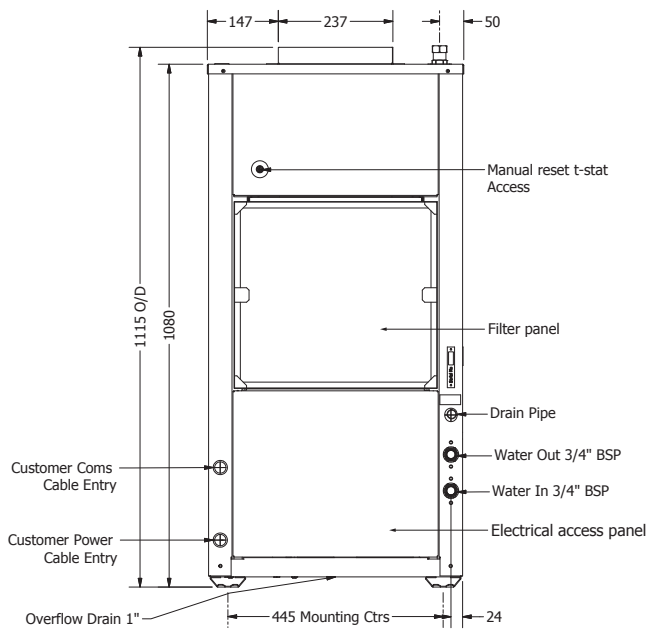
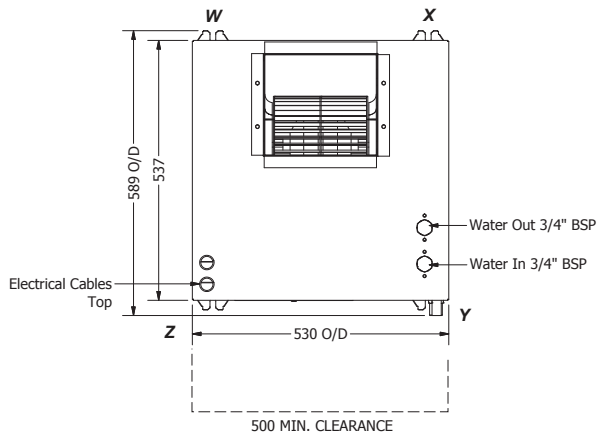


Not to Scale

CWP 90RELSFY Standard

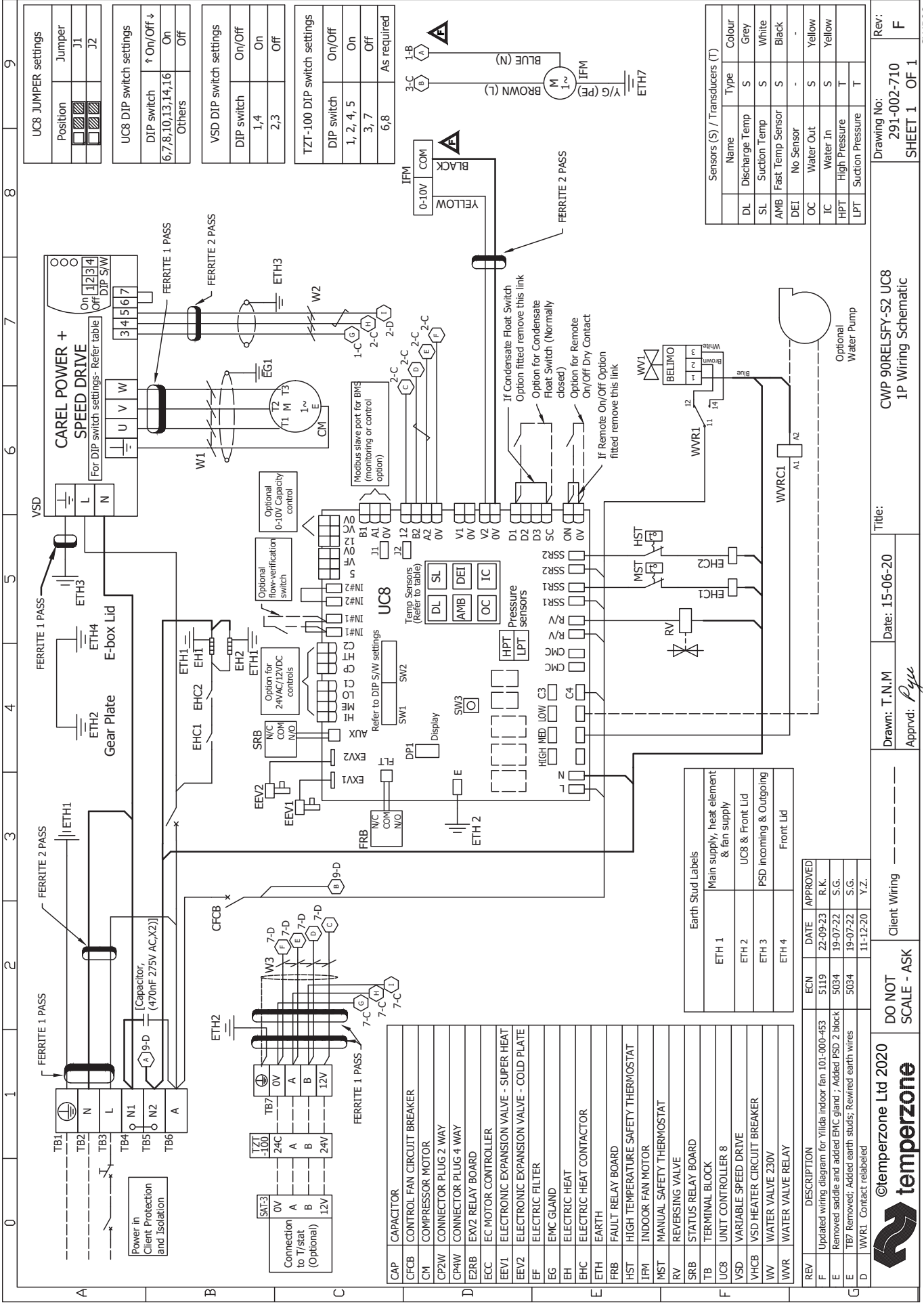
POINT LOADS (kg)			
W	X	Y	Z
28	18	24	20

Allow adequate clearance to access the front of the unit for future service and maintenance. Installed location must be ventilated at base level.



NOTE

Specifications are subject to change without notice due to the manufacturer's ongoing research and development programme.



UC8 JUMPER settings	
Position	Jumper
	J1
	J2

UC8 DIP switch settings	
DIP switch	On/Off ↓
6,7,8,10,13,14,16	On
Others	Off

VSD DIP switch settings	
DIP switch	On/Off
1,4	On
2,3	Off

TZT-100 DIP switch settings	
DIP switch	On/Off
1, 2, 4, 5	On
3, 7	Off
6, 8	As required

Sensors (S) / Transducers (T)		
Name	Type	Colour
DL	Discharge Temp	Grey
SL	Suction Temp	White
AMB	Fast Temp Sensor	Black
DEI	No Sensor	-
OC	Water Out	Yellow
IC	Water In	Yellow
HPT	High Pressure	T
LPT	Suction Pressure	T

DO NOT SCALE - ASK
temperzone
 ©temperzone Ltd 2020
 Client Wiring
 Date: 15-06-20
 Title: CWP 90RELSFY-S2 UC8 1P Wiring Schematic
 Drawn: T.N.M
 Approved: *Pys*
 Rev: 291-002-710 OF 1
 SHEET 1

REV	DESCRIPTION	ECN	DATE	APPROVED
F	Updated wiring diagram for Yilida indoor fan 101-000-453	5119	22-09-23	R.K.
E	Removed saddle and added EMC gland - Added PSD 2 block	5034	19-07-22	S.G.
E	TB7 Removed; Added earth studs; Rewired earth wires	5034	19-07-22	S.G.
D	WVR1 Contact relabelled		11-12-20	Y.Z.

Earth Stud Labels	
ETH 1	Main supply, heat element & fan supply
ETH 2	UC8 & Front Lid
ETH 3	PSD incoming & Outgoing
ETH 4	Front Lid

