

SPECIFICATIONS



Model	OPA 1710RLTM4FPQD(-Z) Econex Pro
Configuration	Horizontal Supply Air
Item No. (Standard / Opposite Hand)	876-171-701 / 876-171-710
Unit c/w Economiser (Standard / Opposite Hand)	877-171-701 / 877-171-710
Configuration	Downward Supply Air
Item No. (Standard / Opposite Hand)	876-171-723 / 876-171-732
Unit c/w Economiser (Standard / Opposite Hand)	877-171-723 / 877-171-732
Cooling capacity (net) ¹	177.9 kW
Cooling capacity (gross) range	14.6 ~ 205.8 kW
Heating capacity ¹	184.1 kW
Heating capacity (gross) range	14.6 ~ 214.4 kW
Electrical input - cooling	58.1 kW
Electrical input - heating	56.7 kW
EER / AEER (cooling) ¹	3.07 / 3.06
COP / ACOP (heating) ¹	3.25 / 3.24
Operating Range (outdoor ambient) - cooling	-10°C ~ 50°C
Operating Range (outdoor ambient) - heating	-10°C ~ 25°C
Master Controller	<i>c.pCO</i>
Slave Controllers	UC8 (x4)
Refrigerant	R32
Refrigerant Charge	7.6 kg/sys.
Minimum floor area (@5m below ceiling diffuser)	7.1 m ² /sys.
Compressor oil type	POE-46 (NXG5020 or equivalent)
Compressor type	Inverter scroll (x4)
Power supply ²	3 ph. 400V ac 50Hz + N + E
Compressor (3ph.) run amps at rating cond.	18 A/ph. (x4)
Compressor circuit breaker	32 A (x4)
Indoor fan motor size	EC Plug 500mm (x4)
Nominal air flow at rating conditions	8 400 l/s (7.5 V)
Indoor fan motor (3ph.) - full load	4.4 A/ph. (x4)
Outdoor fan motor (3ph.) - full load	4.7 A/ph. (x4)
Outdoor fan motor – max. ext. static pressure available	120 Pa (@19,600 l/s)
Control circuit breaker (internal)	4 A
Auxiliary power outlet (1ph.) overload setting	10 A
Running amps (total system)	94 / 81 / 91 A
Max. running amps (total system)	132 / 123 / 132 A
RCD type recommended	type B, 30mA, 3 pole
Net weight	2 263 kg
Shipping weight (excl. cowl)	2 323 kg
Net weight (c/w Economiser)	2 353 kg

Accessories:

Remote wired Service Interface Display (<i>pGDN1</i>)	201-000-867
Filters - rated EU4/G4 disposable	019-400-005 500x600x50 (x12) ³
Filters - rated EU4/G4 washable (NZ only)	019-000-005 500x600x50 (x12) ³

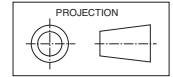
¹ Tested in accordance with AS/NZS 3823

23010

² Voltage range: 380 – 440 V

³ Filter sizes are nominal; refer to Temperzone for actual measurements.

DIMENSIONS (mm)

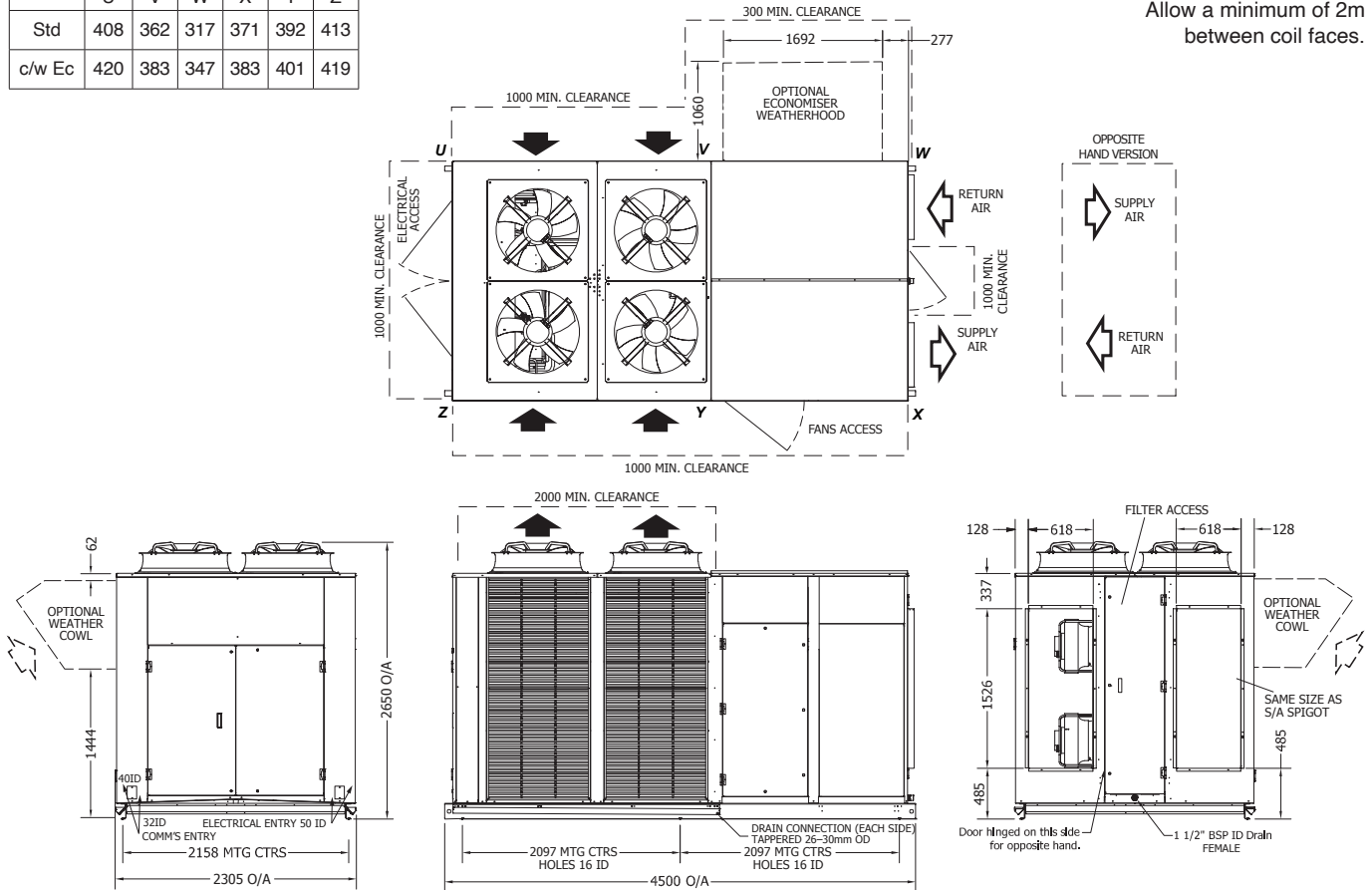


OPA 1710RLTM4FPQD01(-Z) Horizontal Supply, Standard Hand

Not to Scale

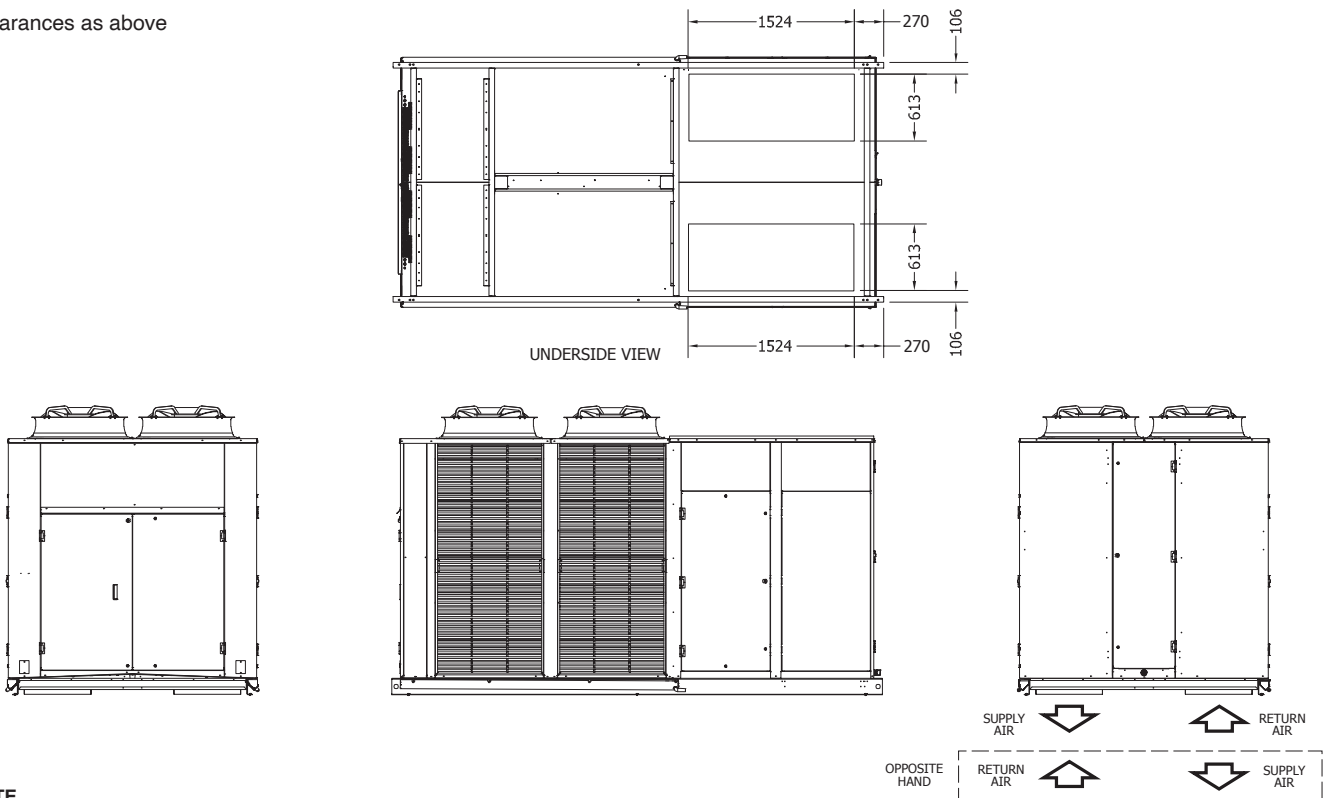
Multiple units side-by-side:
Allow a minimum of 2m
between coil faces.

	POINT LOADS (kg)					
	U	V	W	X	Y	Z
Std	408	362	317	371	392	413
c/w Ec	420	383	347	383	401	419



OPA 1710RLTM4FPQD23(-Z) Downward Supply, Standard Hand

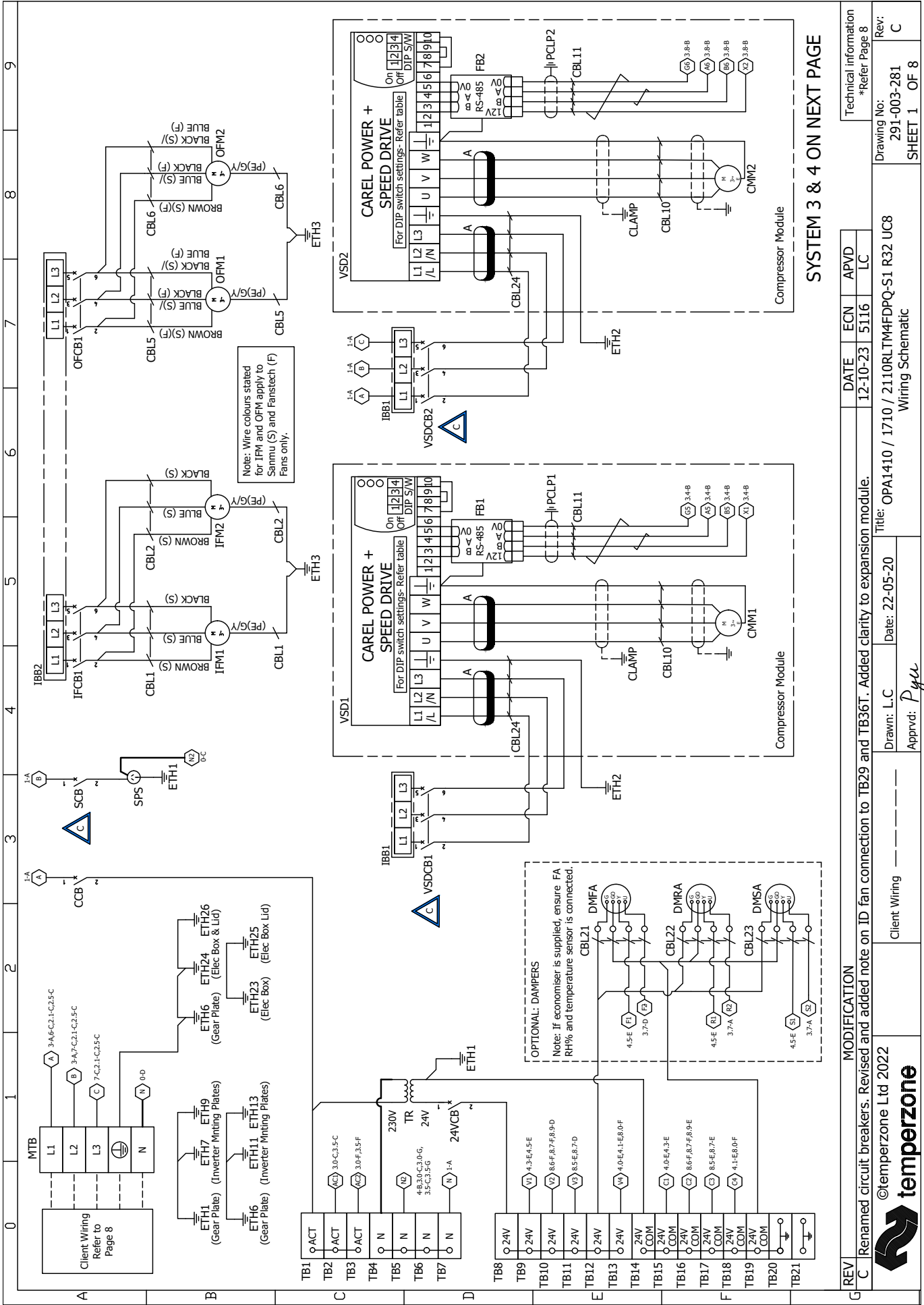
Clearances as above



NOTE

Specifications are subject to change without notice due to the manufacturer's ongoing research and development programme.

WIRING (1)



SYSTEM 3 & 4 ON NEXT PAGE

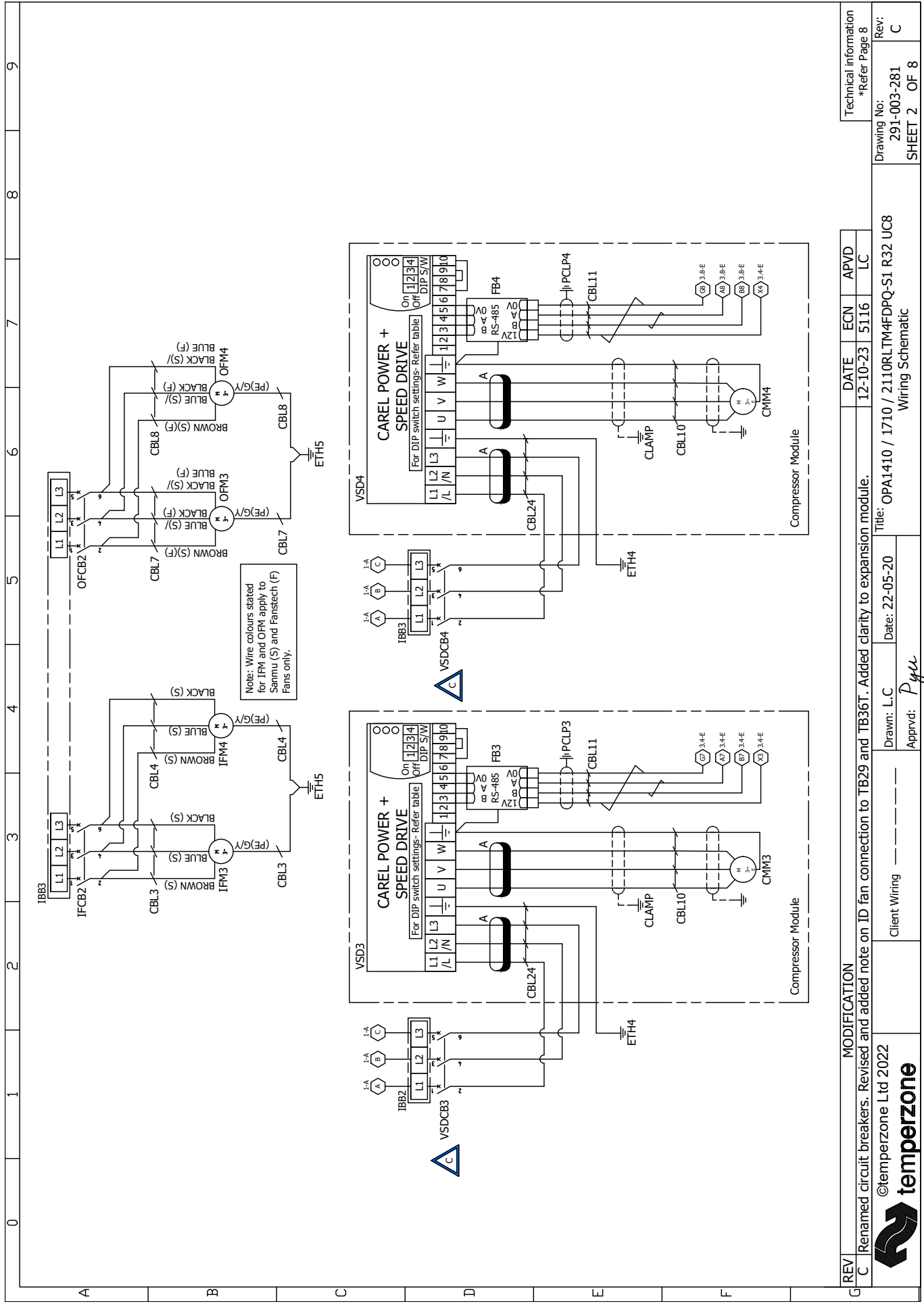
REV	MODIFICATION	DATE	ECN	APVD	Technical information
C	Renamed circuit breakers. Revised and added note on ID fan connection to TB29 and TB36T. Added clarity to expansion module.	12-10-23	5116	LC	*Refer Page 8

Client Wiring Refer to Page 8	Client Wiring	Drawn: L.C	Date: 22-05-20	Approved: <i>Pylu</i>	Wiring Schematic
-------------------------------	---------------	------------	----------------	-----------------------	------------------

OPA1410 / 1710 / 2110RLTM4FDPO-S1 R32 UC8	291-003-281	OF 8
---	-------------	------



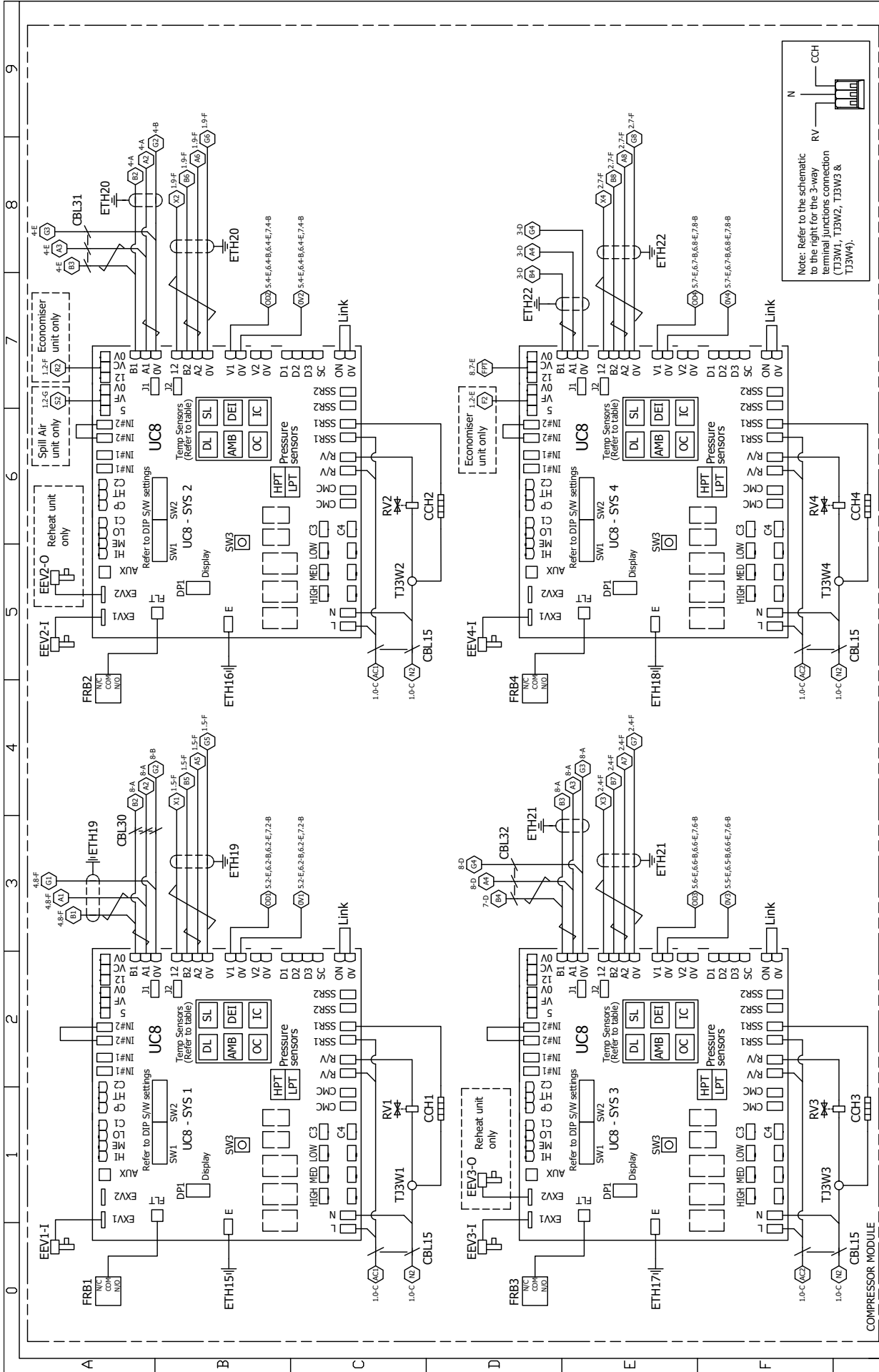
©temperzone Ltd 2022



0 1 2 3 4 5 6 7 8 9

REV	MODIFICATION				DATE	ECN	APVD	Technical information
	C	Renamed circuit breakers. Revised and added note on ID fan connection to TB29 and TB36T. Added clarity to expansion module.				12-10-23	5116	LC
©temperzone Ltd 2022		Drawn: L.C	Date: 22-05-20	Title: OPA1410 / 1710 / 2110RLTM4FDPO-S1 R32 UC8		Drawing No: 291-003-281		Rev: C
		Client Wiring	Approved: <i>Pyu</i>	Wiring Schematic		SHEET 2 OF 8		

WIRING (3)



Note: Refer to the schematic to the right for the 3-way terminal junctions connection (TJ3W1, TJ3W2, TJ3W3 & TJ3W4).

REV	MODIFICATION	DATE	ECN	APVD	LC
C	Renamed circuit breakers. Revised and added note on ID fan connection to TB29 and TB36T. Added clarity to expansion module.	12-10-23	5116	LC	LC

Technical information
*Refer Page 8

Client Wiring

Approved: *Pyle*

Drawn: L.C

Date: 22-05-20

Title: OPA1410 / 1710 / 2110RLTM4FDPQ-S1 R32 UC8

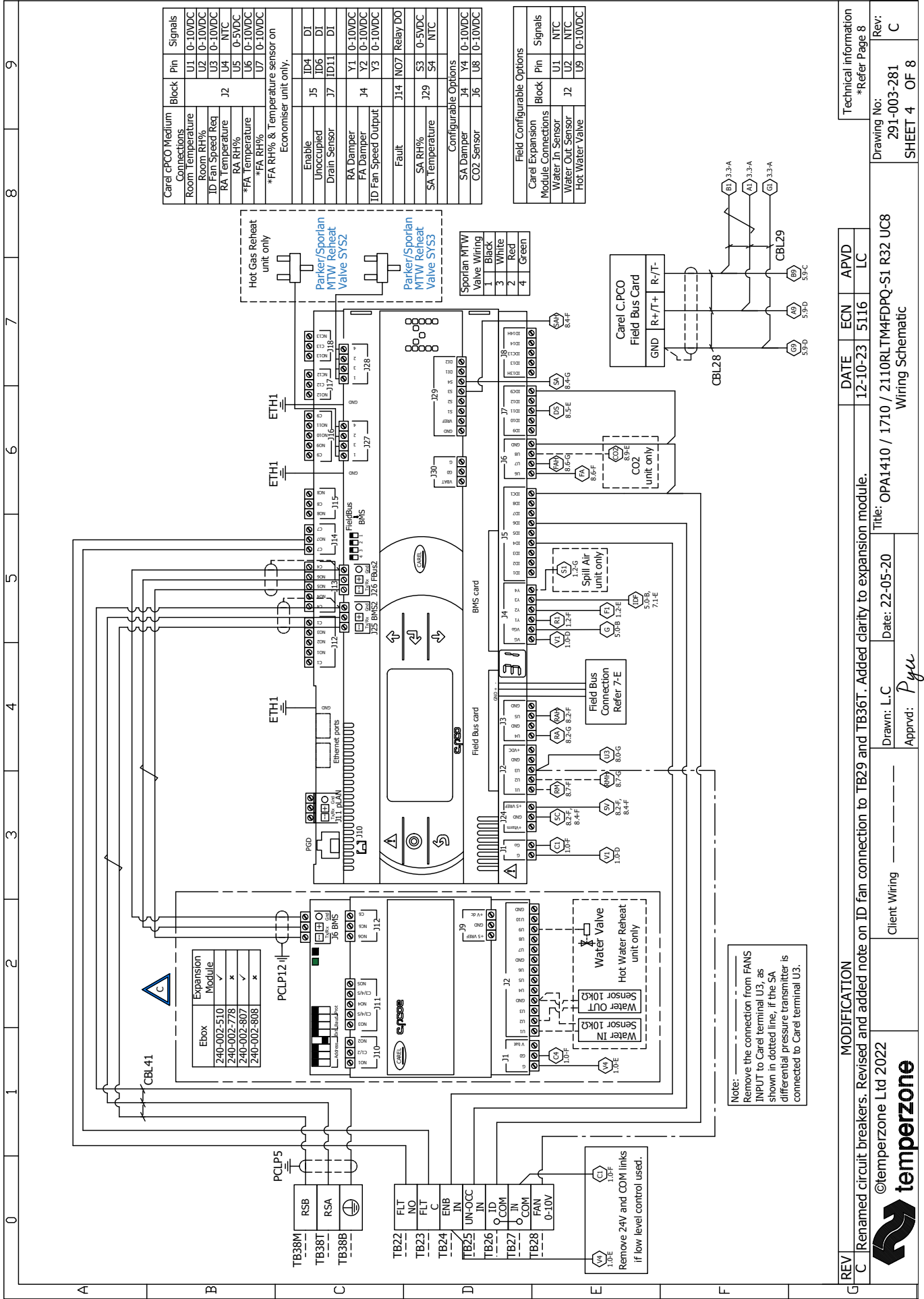
Wiring Schematic

Drawing No: 291-003-281

SHEET 3 OF 8



©temperzone Ltd 2022



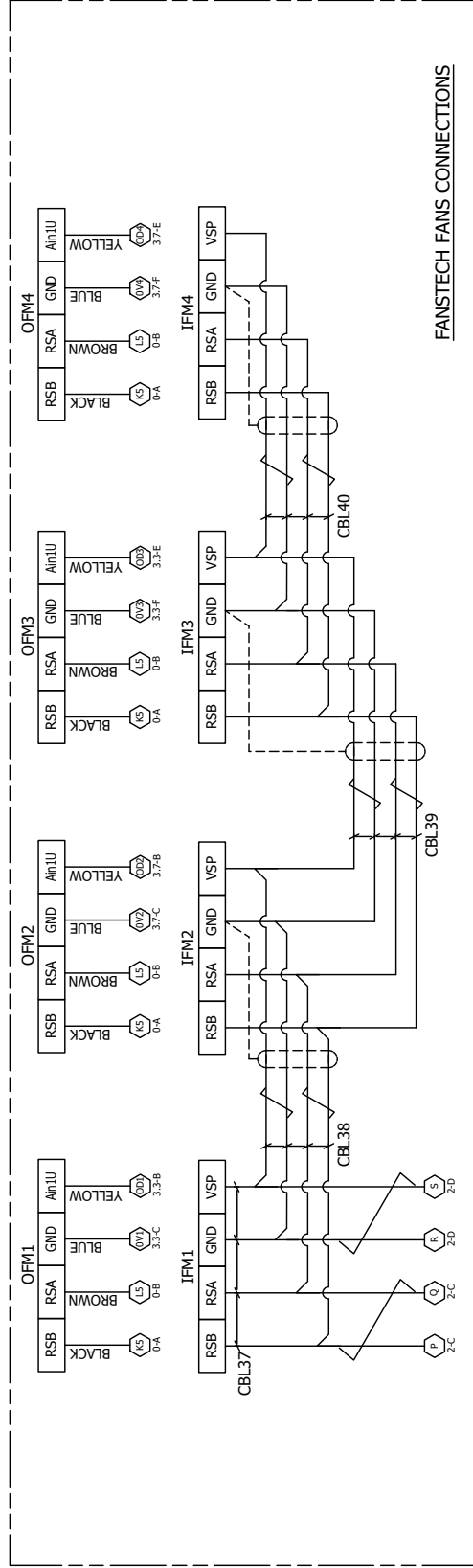
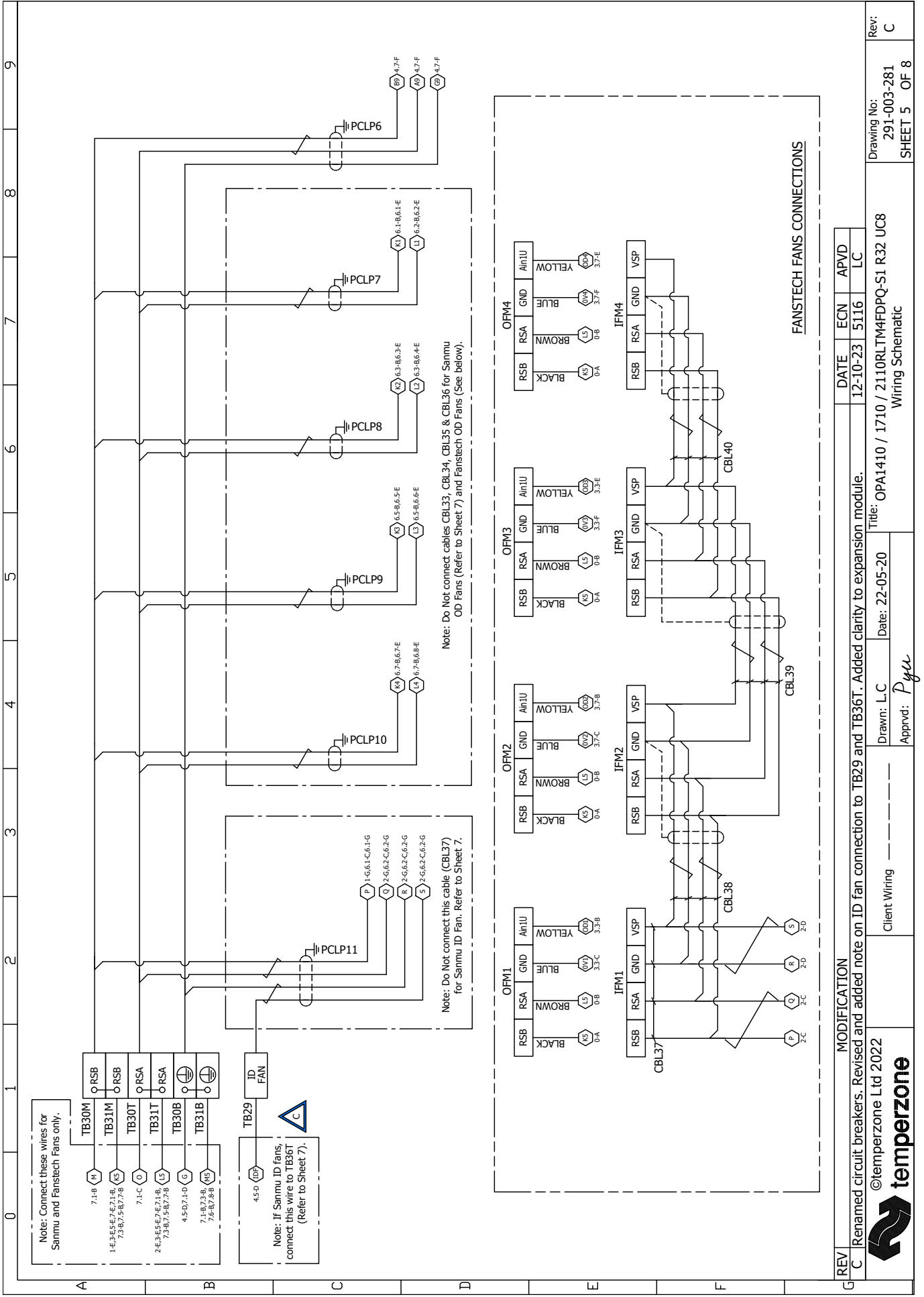
Note:
 Remove the connection from FANS INPUT to Carel terminal U3, as shown in dotted line, if the SA differential pressure transmitter is connected to Carel terminal U3.

REV	MODIFICATION	DATE	ECN	APVD	Technical information
C	Renamed circuit breakers. Revised and added note on ID fan connection to TB29 and TB36T. Added clarity to expansion module.	12-10-23	5116	LC	*Refer Page 8

Drawing No: 291-003-281 Rev: C	Title: OPA1410 / 1710 / 2110RLTM4FDPQ-S1 R32 UC8 Wiring Schematic
---	---

Drawn: L.C Date: 22-05-20 Client Wiring: _____ Apprvd: <i>Pyu</i>	SHEET 4 OF 8
--	--------------

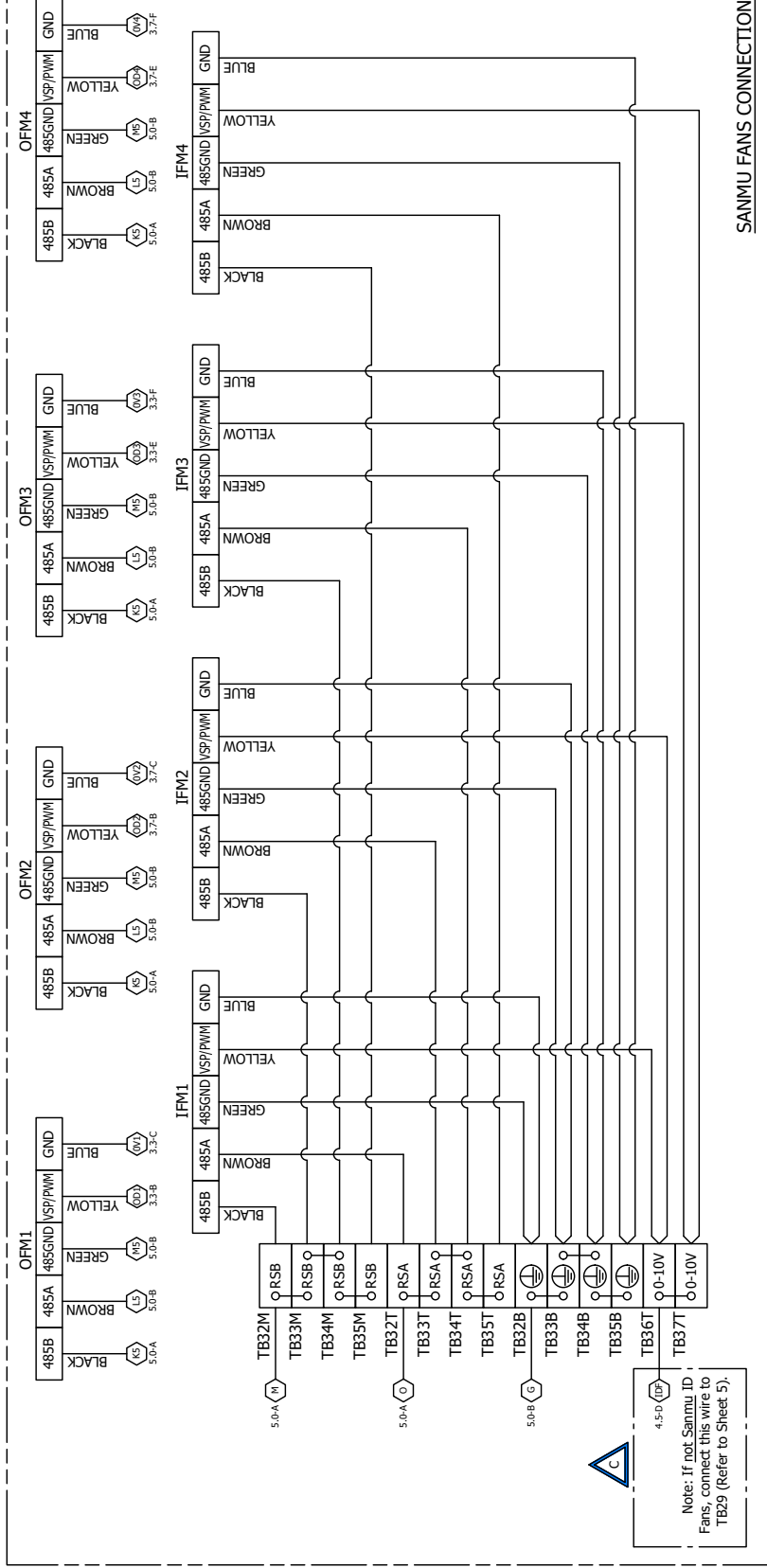




REV	MODIFICATION			DATE	ECN	APVD
C	Renamed circuit breakers. Revised and added note on ID fan connection to TB29 and TB361T. Added clarity to expansion module.			12-10-23	5116	LC
©temperzone Ltd 2022				Drawn: L.C	Date: 22-05-20	Client Wiring
				Approvd: <i>Pyy</i>		
Drawing No: 291-003-281				Title: OPA1410 / 1710 / 2110RLTM4DPQ-S1 R32 UC8		Rev: C
SHEET 5				OF 8		Wiring Schematic

0 1 2 3 4 5 6 7 8 9

NOTE: THE FOLLOWING FANS CONNECTIONS APPLY, DEPENDING ON THE MAKE OF FANS INSTALLED IN THE UNIT.



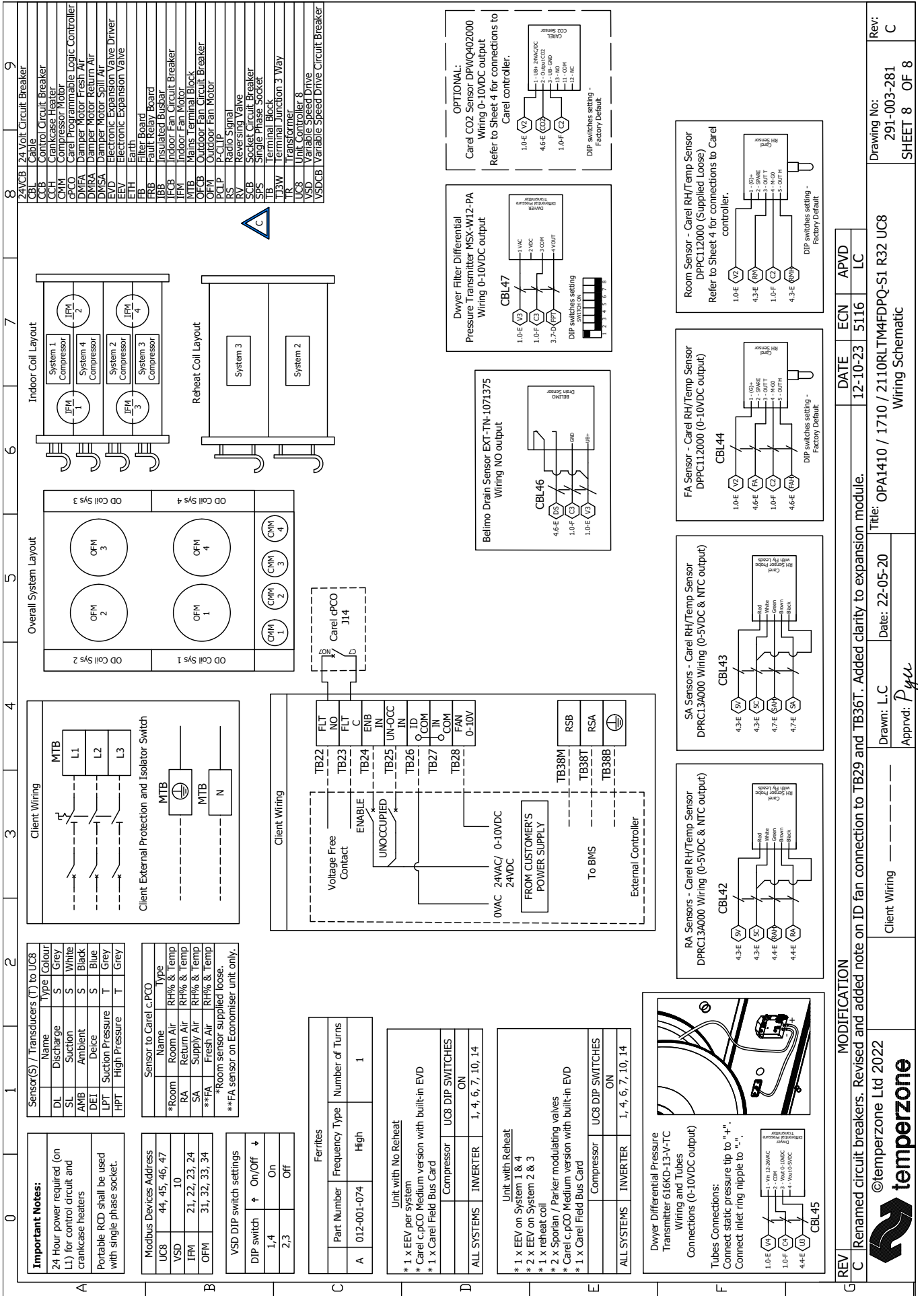
SANMU FANS CONNECTIONS

REV	MODIFICATION	DATE	ECN	APVD
C	Renamed circuit breakers. Revised and added note on ID fan connection to TB29 and TB36T. Added clarity to expansion module.	12-10-23	5116	LC

©temperzone Ltd 2022

Client Wiring -----
 Drawn: L.C Date: 22-05-20
 Title: OPA1410 / 1710 / 2110RLTM4FDPO-S1 R32 UC8
 Wiring Schematic

Drawing No: 291-003-281
 SHEET 7 OF 8
 Rev: C



MODIFICATION

REV	C	Renamed circuit breakers. Revised and added note on ID fan connection to TB29 and TB36T. Added clarity to expansion module.	DATE	12-10-23	ECN	5116	APVD	LC
Client Wiring			Drawn:	L.C	Date:	22-05-20	Approved:	<i>Pylu</i>



©temperzone Ltd 2022

Title: OPA1410 / 1710 / 2110RLTM4FDPQ-S1 R32 UC8

Wiring Schematic

Rev: 291-003-281
C
Drawing No: SHEET 8 OF 8