

SPECIFICATIONS



Indoor Unit	(525-501-001 / 525-511-001)	ISD 380KB(H/V)-P
Outdoor Unit	(526-501-201)	OSA 380RKTBV
Cooling capacity (net) to AS/NZS 3823 T1		35.9 kW
Heating capacity H1		38.5 kW
Electrical input - cooling		11.2 kW
Electrical input - heating		11.2 kW
EER / AEER (cooling)		3.20 / 3.15
COP / ACOP (heating)		3.43 / 3.41
Unit Controllers		UC6
Refrigerant		R410A
Refrigerant precharge for 10 m		6.55 kg/sys.
Additional charge req'd for over 10 m		100 g/m
Base refrigerant charge OSA		5.55 kg/sys.
Maximum line length		60 m
Separation limit: OSA above ISD		20 m
Separation limit: OSA below ISD		20 m
Suction line		22 mm OD (x2)
Liquid line		13 mm OD (x2)
Compressor oil type		POE 32-3MAF (or equivalent)
Additional oil charge over 40m line length		20 ml/m
Compressor type		fixed scroll (x2)
Power supply via OSA		3ph. 400V±6% ac 50Hz + N + E
Compressor (3ph.) run amps *		8 A (x2)
Compressor overload setting		11.5 A (x2)
Indoor fan motor size		EC plug 350 dia. 1.3kW (x2)
Nominal airflow at rating conditions *		2100 l/s
Indoor fan motor (3ph.) - full load		2.1 A/ph. (x2)
Outdoor fan motor (1ph.) - full load		1.7 A (x4)
Outdoor fan capacitor size		8 µfd (x4)
Control circuit breaker (internal)		2 A
Auxillary power outlet (1ph.)overload setting		10 A
Running amps (total system)*		17 / 22 / 17 A
Max. running amps (total system)		27 A
RCD type recommended		type A, 30mA, 3 pole
Net weight ISD		169 kg
Net weight OSA		458 kg

Accessories:

Spring Mounting Kit	307-341-101
Filter Box c/w EU2/G2 rated filter ^(NZ Only)	525-501-605
ISD Replacement filter	119-000-032 (x3)
UC6 Service Interface tool	201-000-379

Optional Controls:

SAT-3 Room temperature controller	201-000-146
TZT-100 Room temperature controller	201-000-350

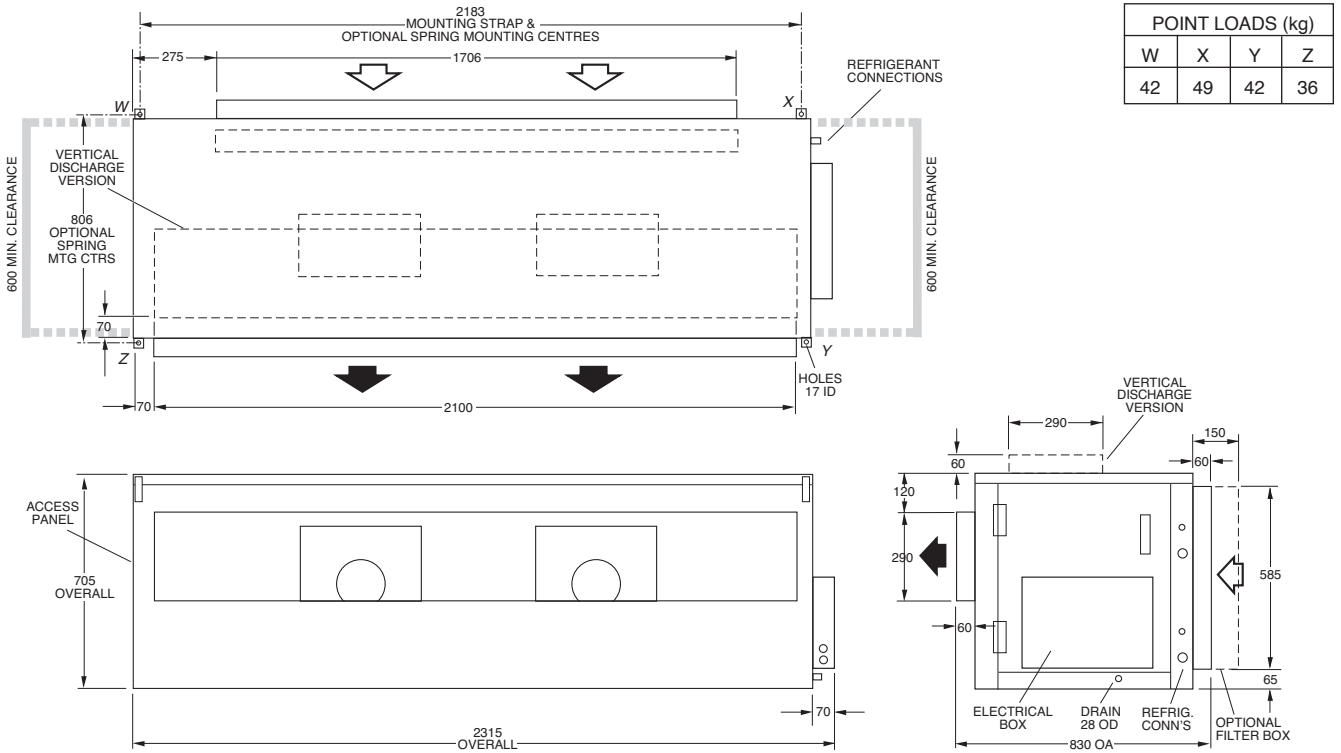
Refer to temperzone for other options, eg remote sensors, connection wires.

DIMENSIONS (mm)

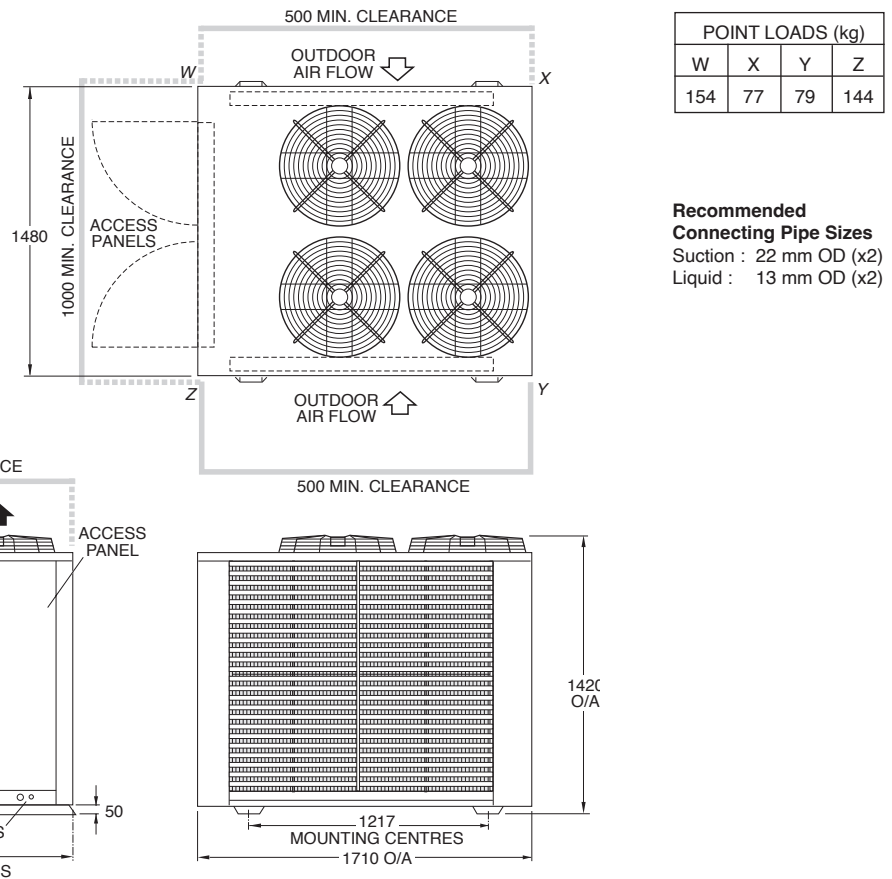


Not to Scale

ISD 380KB(H/V)-P Indoor Unit



OSA 380RKTBV Outdoor Unit



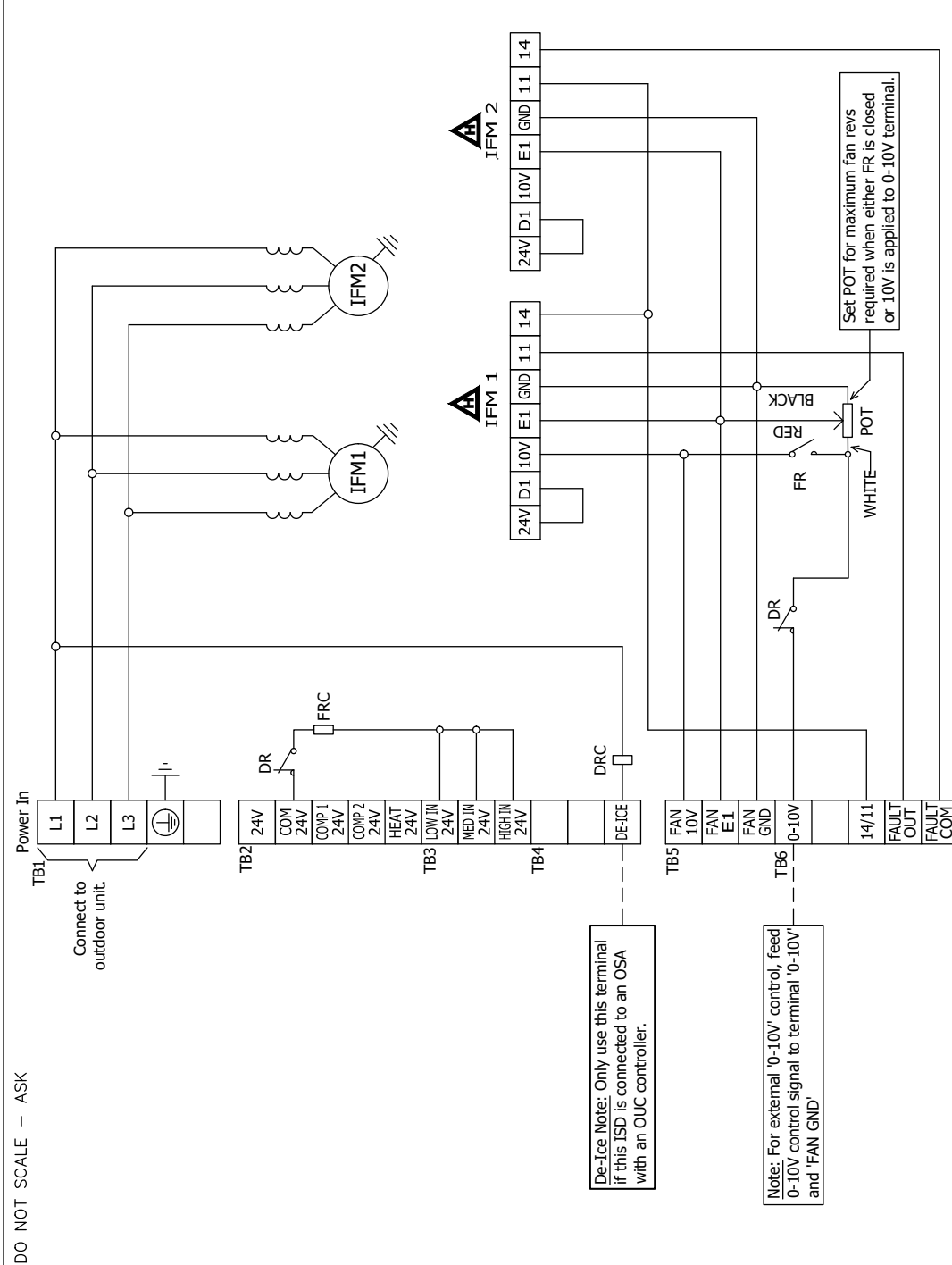
NOTE

Specifications are subject to change without notice due to the manufacturer's ongoing research and development programme.

INDOOR UNIT WIRING

Indoor-Outdoor Connection Wiring: refer 'Installation & Maintenance' pamphlet, page 6.

Model	ISD	310-P	380-P
Voltage In	V	400/415	400/415
IFM Full load AMPS	A	2.5 x 2	2.5 x 2
DR	De-ice Relay		
DRC	De-ice Relay Coil		
FR	Fan Relay		
FRC	Fan Relay Coil		
IFM	Indoor Fan Motor		
POT	Potentiometer (max speed)		



DO NOT SCALE - ASK

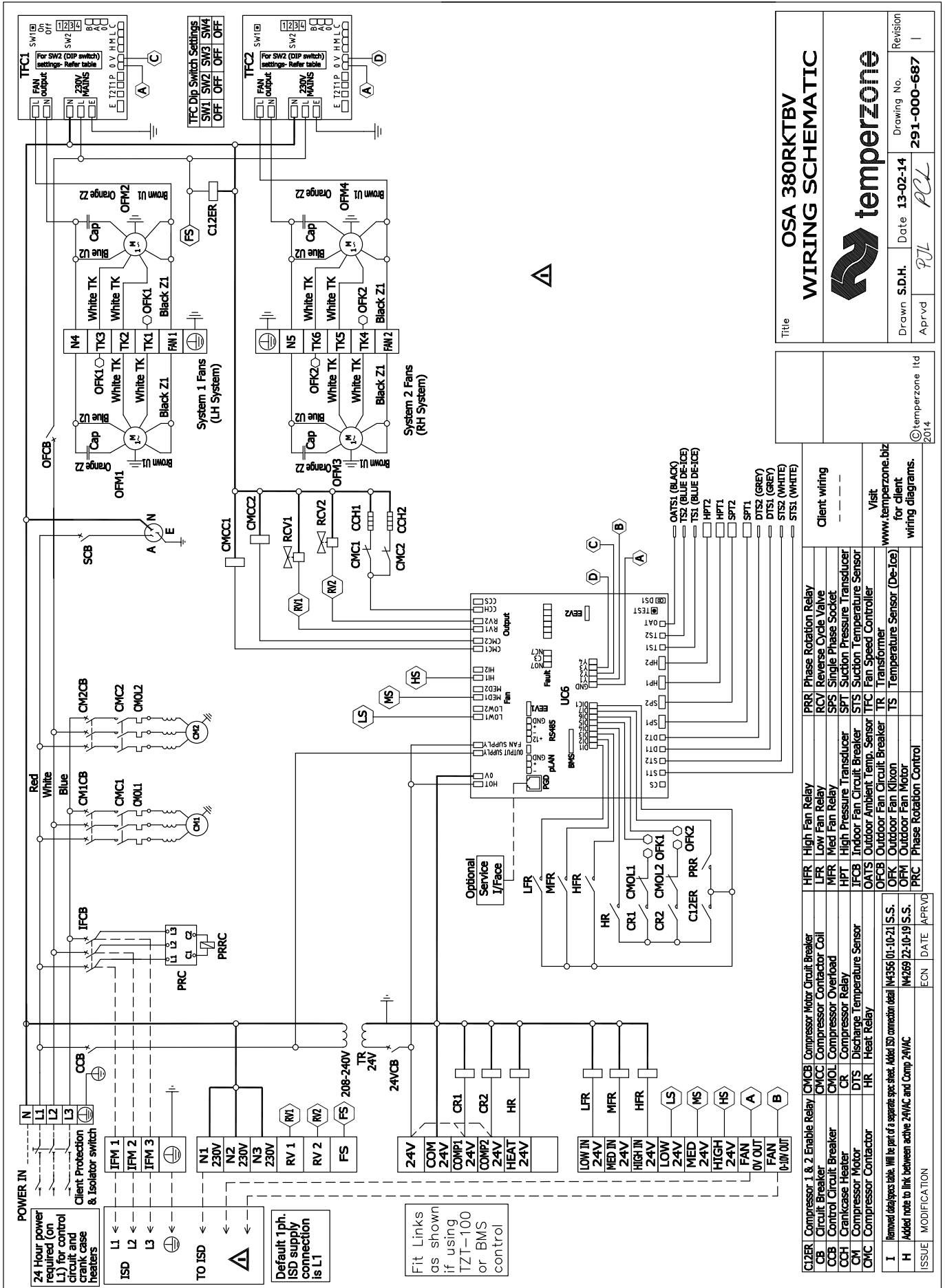
Client Wiring		---	
Title ISD 310 & 380KB-P WIRING SCHEMATIC			
Drawn CMW	Date	27-01-11	Revision
Aprvd		525-504-002	H

ISSUE	MODIFICATION	ECN	DATE	APRVD	DRG SIZE	No.	DESCRIPTION	Mat.I	FINISH No.
H	Updated fan terminal connections for Zeihl	5125	26-10-23	R.K.					
G	Update fan terminal connections for Sammu	N5069	18-01-23	A.G.V.					
F	"Fan Earth Symbol" Changed to "Fan E1"	N4056	24-01-18	M.A.K.					
E	Update earth symbols: 24V was HOT 24V; Designate TBs 1-6	N3994	03-10-17	L.O.L.					
D	IFM 2 10V Wire Removed	N3359	30-08-13	C.M.W.					
C	IFM Full load Amps corrected on 380-P	N3147	05-02-13	R.A.S					

Programmed by _____
©temperzone ltd 2009

OUTDOOR UNIT WIRING

Indoor-Outdoor Connection Wiring: refer 'Installation & Maintenance' pamphlet, page 6.



OSA 380RKTBV
WIRING SCHEMATIC



Revision No. 1
 Drawing No. 291-000-687
 Date 13-02-14
 Drawn S.D.H.
 Aprva P.J.L.

© temperzone ltd
 2014

Client wiring	Client wiring
PRR Phase Rotation Relay	PRR Phase Rotation Relay
RVC Reverse Ords Valve	RVC Reverse Ords Valve
SPS Single Phase Socket	SPS Single Phase Socket
SPT Suction Pressure Transducer	SPT Suction Pressure Transducer
STS Suction Temperature Sensor	STS Suction Temperature Sensor
TFC Fan Speed Controller	TFC Fan Speed Controller
TR Transformer	TR Transformer
TS Temperature Sensor (De-Ice)	TS Temperature Sensor (De-Ice)
OFM Outdoor Fan Motor	OFM Outdoor Fan Motor
OFM Outdoor Fan Motor	OFM Outdoor Fan Motor
PRC Phase Rotation Control	PRC Phase Rotation Control