

SPECIFICATIONS



Indoor Unit	(525-591-201/ 525-591-211)	ISD 570KB(H/V)
Outdoor Unit	(526-641-701)	OSA 570RKTBQV (fixed)
Cooling capacity (net) ¹		54.7 kW
Heating capacity ¹		55.9 kW
Electrical input - cooling		17.7 kW
Electrical input - heating		16.6 kW
EER / AEER (cooling) ¹		3.10 / 3.09
COP / ACOP (heating) ¹		3.37 / 3.35
Unit Controllers		UC6
Refrigerant		R410A
Refrigerant precharge for 10 m		10.3 kg/sys.
Additional charge req'd for over 10 m		100 g/m
Base refrigerant charge OSA		9.3 kg
Maximum line length		60 / 90 m ²
Separation limit: OSA above ISD		20 m
Separation limit: OSA below ISD		20 m
Suction line		28 or 35 mm OD (x2) ²
Liquid line		13 mm OD (x2)
Compressor oil type		POE 32-3MAF (or equivalent)
Additional oil charge over 40m line length		20 ml/m
Compressor type		fixed scroll (x2)
Power supply via OSA ³		3 ph. 400V ac 50 Hz + N + E
Compressor (3ph.) run amps		18.2 A (x2)
Compressor overload setting		19 A (x2)
Indoor fan motor type/size		AC / 5.5 kW
Nominal airflow at rating conditions ¹		3100 l/s
Indoor fan motor (3ph.) - full load		11 A
Outdoor fan motor (1ph.) - full load		1.7 A (x4)
Outdoor fan motor type		EC axial
Outdoor fan max. static pressure		60 Pa ⁴
Control circuit breaker (internal)		2 A
Auxillary power outlet (1ph.) overload setting		10 A
Running amps (total system) ¹		38 / 33 / 32 A
Max. running amps (total system)		47 / 42 / 41 A
RCD type recommended		type A, 30mA, 3 pole
Net weight ISD		333 kg
Net weight OSA		511 kg

Accessories:

Filters - rated EU4/G4 disposable	019-400-004 500x500x50 (x2) ⁵ 019-400-008 450x500x50 (x4)
Filters - rated EU4/G4 washable (NZ Only)	019-000-033 500x500x50 (x2) ⁵ 019-000-038 450x500x50 (x4)
UC6 Service Interface tool	201-000-379

Optional Controls:

SAT-3 Room temperature controller	201-000-146
TZT-100 Room temperature controller	201-000-350

Refer to temperzone for other options, eg remote sensors, connection wires.

¹ Tested in accordance with AS/NZS 3823

² Line lengths above 60m require greater size suction line

³ Voltage range: 380-440V

⁴ Contact Temperzone for assistance for higher static applications

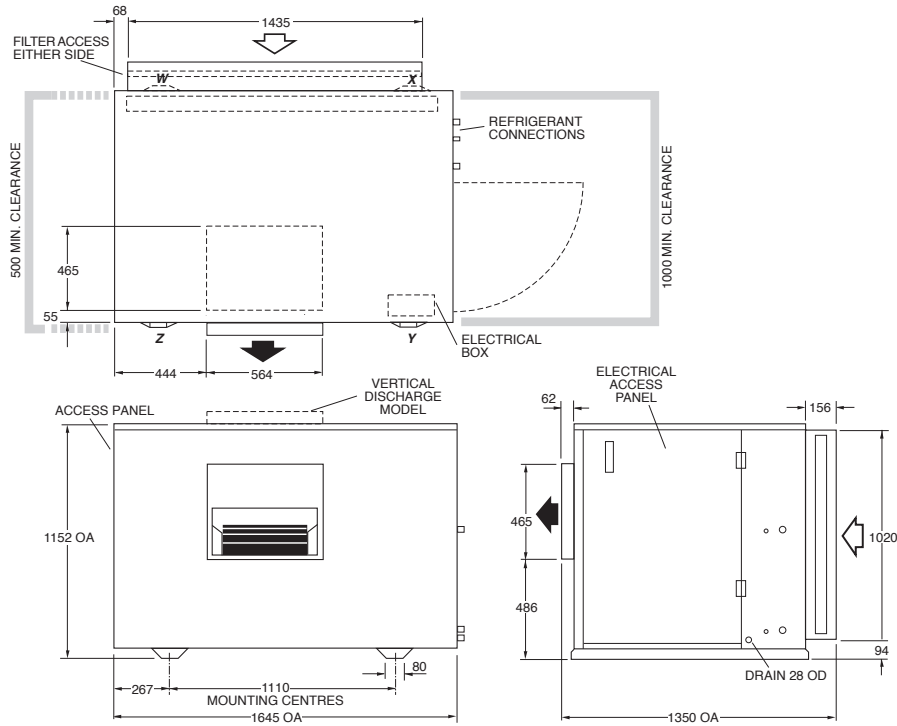
⁵ Filter sizes are nominal; refer to Temperzone for actual measurements.

DIMENSIONS (mm)



Not to Scale

ISD 570KB(H/V) Indoor Unit

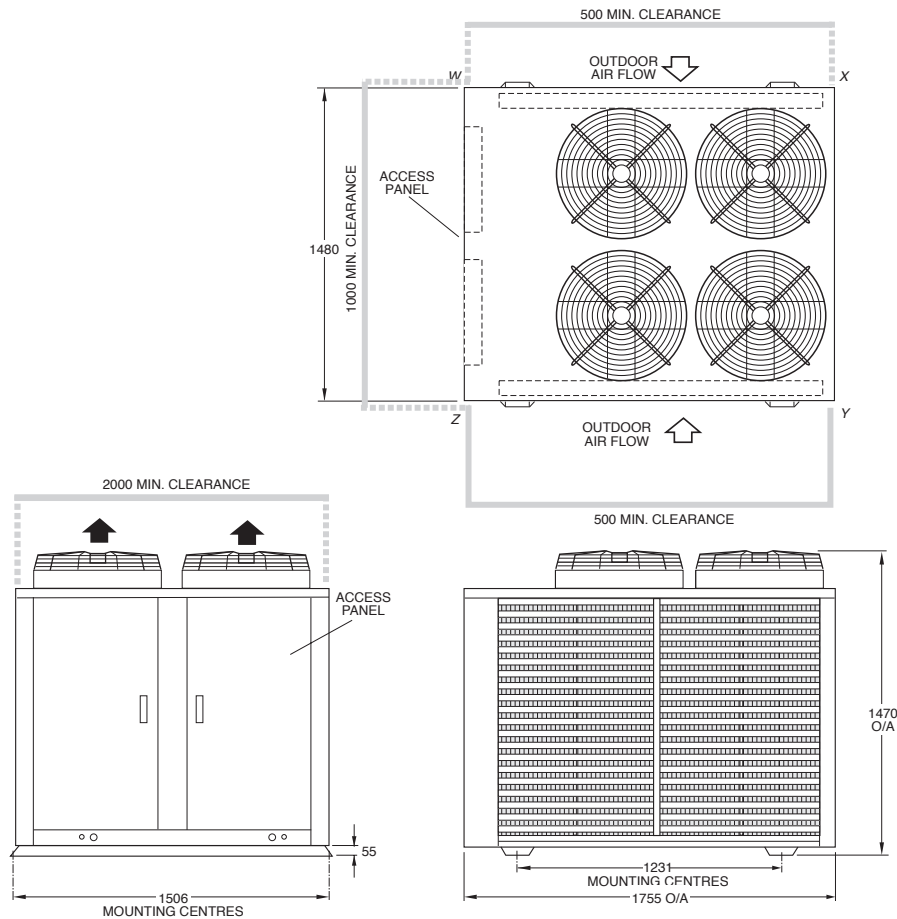


CORNER LOADS (kg)			
W	X	Y	Z
75	92	119	47

OSA 570RKTQBQV Outdoor Unit

CORNER LOADS (kg)			
W	X	Y	Z
174	81	81	175

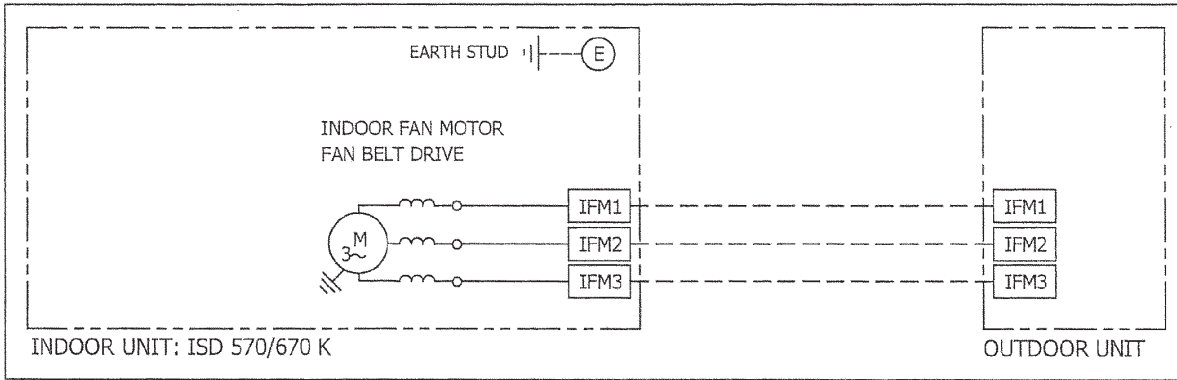
Recommended Connecting Pipe Sizes
 Suction : 28 or 35 mm OD
 Liquid : 13 mm OD
 Upsize above 60m




NOTE

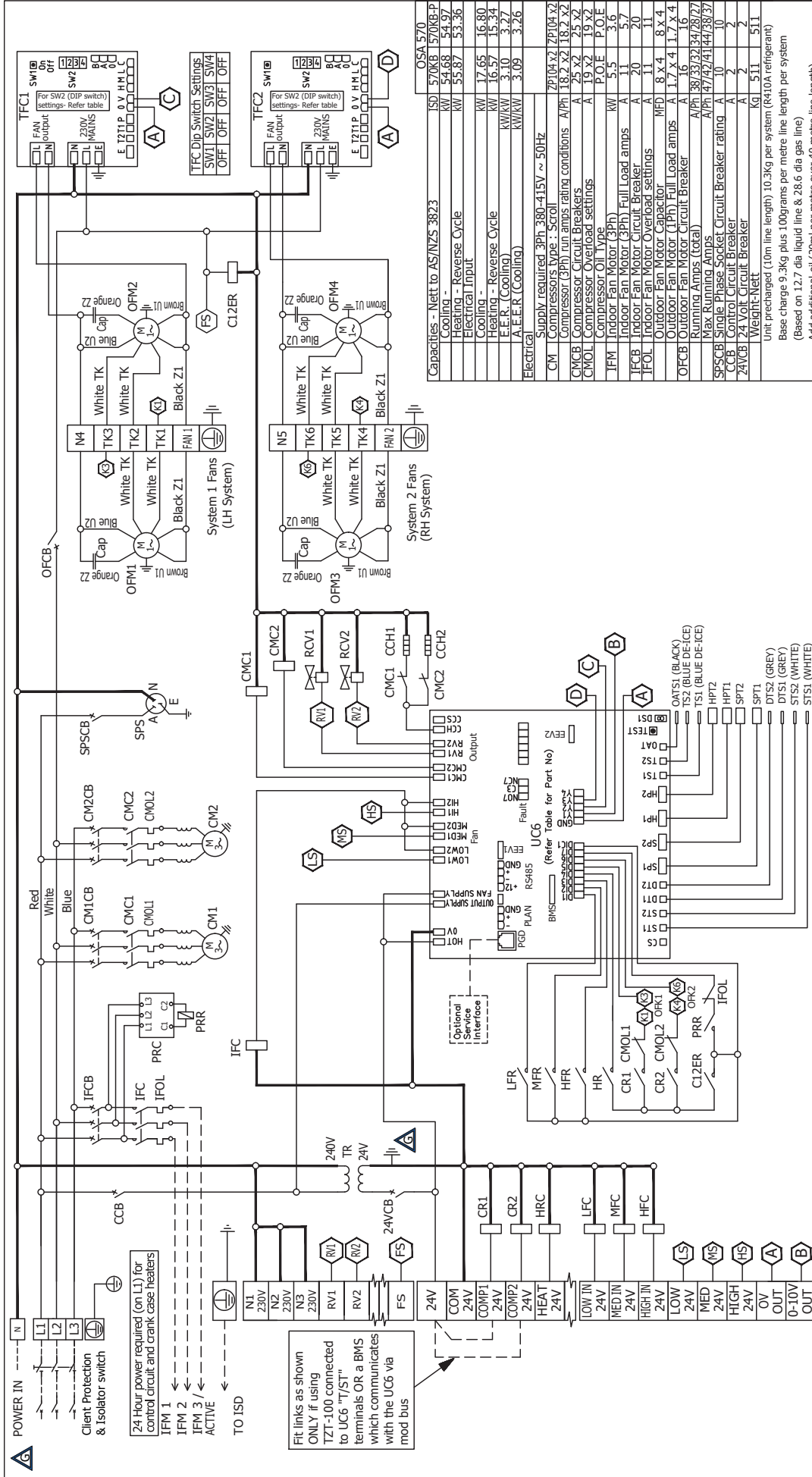
Specifications are subject to change without notice due to the manufacturer's ongoing research and development programme.

INDOOR UNIT WIRING



MODEL -	ISD	570 K	670 K		Title	ISD 570/670 KB WIRING SCHEMATIC				
INDOOR FAN MOTOR FULL LOAD AMPS/PH		10.3	10.3							
NOTE: Check wiring before switching on, incorrect connection will damage motor		CLIENT WIRING Interconnections between units by client. Double insulated multi-core cable.								
ISSUE	MODIFICATION	ECN	DATE	APRVD	Drawn A.F.C.	Date 27-02-12	Drawing No.	Revision		
					Scale	<i>AFC</i>	291-000-045	A		

OUTDOOR UNIT WIRING



Capacities - Nett to AS/NZS 3823	
Cooling - Reverse Cycle	kW 54.68 54.97
Heating - Reverse Cycle	kW 55.87 53.36
Electrical Input	kW 16.65 16.80
Cooling - Reverse Cycle	kW 16.57 15.34
Heating - Reverse Cycle	kW 16.57 15.34
E.E.R. (Cooling)	kW/kW 3.10 3.27
E.E.R. (Heating)	kW/kW 3.09 3.26
Electrical	
Supply required 3Ph 380-415V ~ 50Hz	
CM Compressor type - Scroll	ZP104 x2 ZP104 x2
Compressor (3Ph) run amps rating conditions	A/Ph 18.2 x2 18.2 x2
CMCB Compressor Circuit Breakers	A 25 x2 25 x2
CMOL Compressor Overload settings	A 19 x2 19 x2
Compressor Oil Type	P.O.E P.O.E
IFM Indoor Fan Motor (3Ph)	kW 5.5 3.6
IFCB Indoor Fan Motor (3Ph) Full Load amps	A 11 5.7
IFOL Indoor Fan Motor Circuit Breaker	A 20 20
IFOL Indoor Fan Motor Overload settings	A 11 11
Outdoor Fan Motor Capacitor	MFD 8 x 4 8 x 4
Outdoor Fan Motor (1Ph) Full Load amps	A 1.7 x 4 1.7 x 4
Outdoor Fan Motor Circuit Breaker	A 16 16
Max Running Amps (total)	A/Ph 38/33/32/34/28/27
SPSCB Single Phase Socket Circuit Breaker rating	A 10 10
CCB Control Circuit Breaker	A 2 2
24VCB 24 Volt Circuit Breaker	A 2 2
Weight-Nett	Kg 511 511

REV	DESCRIPTION	DATE	ECN	APVD
F	Compressors changed to Zp104. Oil was 10ml now 20ml. RCBO replace with 10A CB	30-03-17	N3895	A.K.B
G	Transformer earthed and client wiring details added	24-09-18	N4142	I.I.M.

Symbol	Description
HR	Heat Input Relay
HFR	Fan High Relay
LFR	Fan Low Relay
MFR	Fan Med Relay
SPT	Single Phase Socket
SPS	Suction Pressure Transducer
HPT	High Pressure Transducer
IFCB	Indoor Fan Circuit Breaker
OATS	Outdoor Ambient Temp. Sensor
CMCC	Compressor Contactor Coil
OFCC	Outdoor Fan Circuit Breaker
TR	Transformer
TS	Temperature Sensor (De-Ice)
TS1	Temperature Sensor (De-Ice)
TS2	Temperature Sensor (De-Ice)
OFM	Outdoor Fan Motor
PRC	Phase Rotation Control
UC6	Unit Controller 6 (201-000-485)

Client Wiring -----

©temperzone Ltd 2012

temperzone

Client Wiring

Drawn: A.F.C Date: 20/04/2012

Approved: SR

Title: OSA 570RKTBV Wiring Schematic

Drawing No: 291-000-215

Rev: G

Sheet 1 of 1