

SPECIFICATIONS



Model	OPA 820RLTB1FPQ-Z Econex
Configuration	Horizontal Supply Air
Item No. (Standard / Opposite Hand)	867-082-701 / 867-082-710
Configuration	Downward Supply Air
Item No. (Standard / Opposite Hand)	867-082-723 / 867-082-732
Cooling capacity (net) ¹	78.4 kW
Cooling capacity range (gross)	11.2 ~ 83.8 kW
Heating capacity ¹	79.0 kW
Heating capacity range	10.0 ~ 87.0 kW
Electrical input - cooling	24.6 kW
Electrical input - heating	23.8 kW
EER / AEER (cooling) ¹	3.18 / 3.17
COP / ACOP (heating) ¹	3.22 / 3.21
Operating Range (outdoor ambient) - cooling	-10°C ~ 50°C
Operating Range (outdoor ambient) - heating	-10°C ~ 25°C
Controller	UC8 (x2)
Refrigerant	R32
Refrigerant Charge	8.0 kg/sys.
Minimum floor area (@2.4m below ceiling diffuser)	34 m ²
Compressor oil type	POE-46 (NXG5020 or equivalent)
Compressor type	inverter + fixed scroll
Power supply ²	3 ph. 400 V ac 50 Hz + N + E
Compressor (3ph.) run amps at rating cond.(inv./fixed)	16 A/ph.(x1) / 16 A/ph.(x1)
Compressor + VSD circuit breaker	32 A (x2)
Indoor fan motor size	EC Plug 500 dia. 3.65kW (x2)
Nominal air flow at rating conditions	4 400 l/s
Indoor fan motor (3ph.) - full load	4.5 A/ph. (x2)
Outdoor fan motor (3ph.) - full load	5 A/ph. (x2)
Outdoor fan - max. external static available@ 11 600 l/s	125 Pa
Control circuit breaker (internal)	2 A
Single phase socket circuit breaker	10 A
Running amps (total system) ¹	38 / 36 / 39 A
Max. running amps (total system)	52 / 50 / 52 A
RCD type recommended	type B, 30mA, 3 pole
Net weight (excl. cowl)	1294 kg
Shipping weight (excl. cowl)	1320 kg
Net Weight c/w Economiser	1346 kg

Accessories:

Filters - rated EU4/G4 disposable	019-400-004 500x500x50 (x9) ³
Filters - rated EU4/G4 washable (NZ Only)	019-000-033 500x500x50 (x9) ³
Drain tundish (2 per set; 2 sets required)	060-000-653

Refer to temperzone for other options.

¹ Tested in accordance with AS/NZS 3823

23020

² Voltage range: 380-440V

³ Filter sizes are nominal; refer to Temperzone for actual measurements.

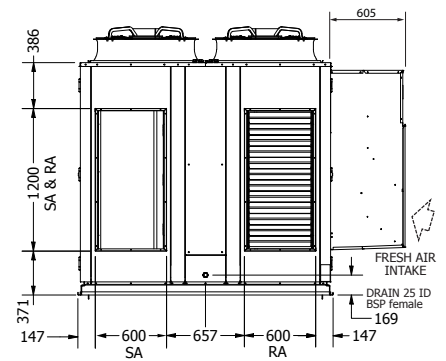
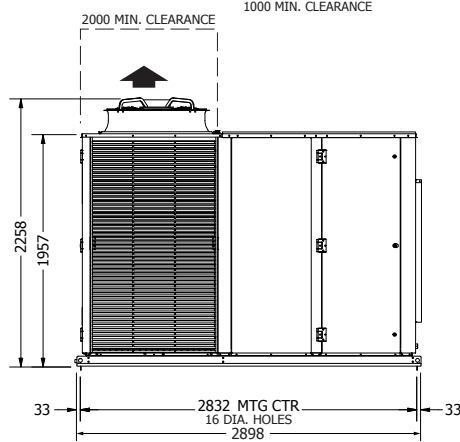
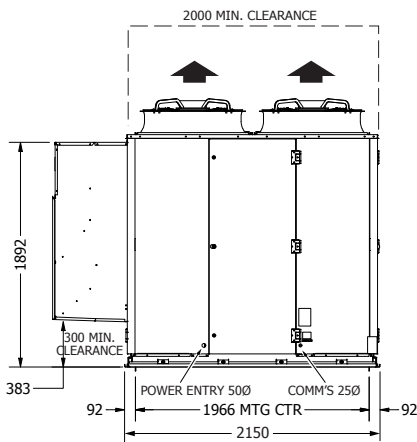
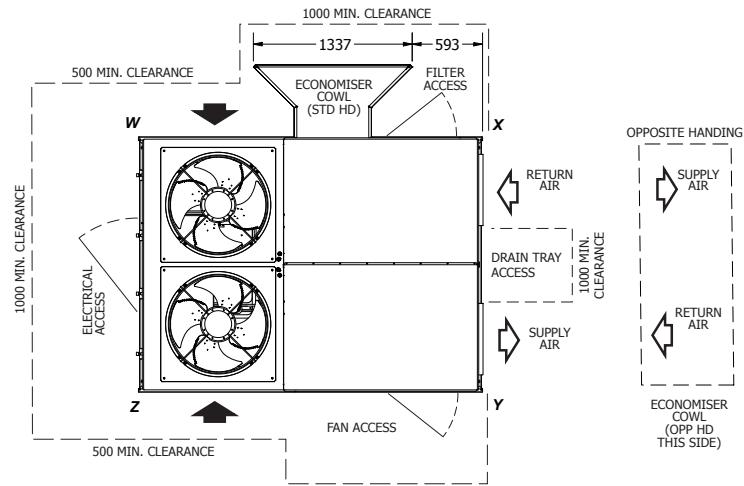
DIMENSIONS (mm)



OPA 820RLTB1FPQ01-Z Standard Hand, Horizontal Supply

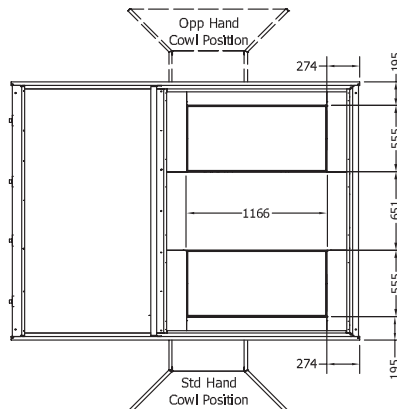
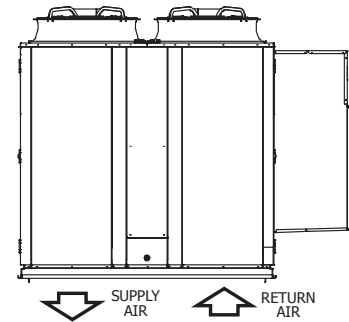
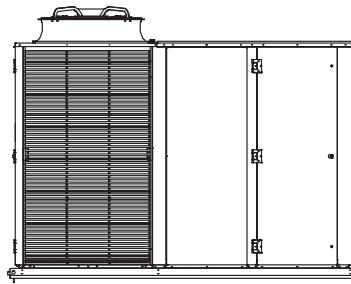
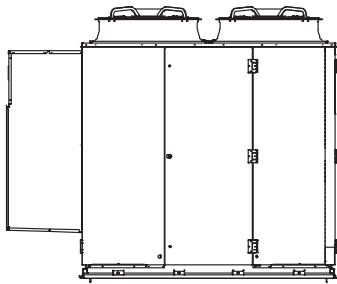
Not to Scale

	POINT LOADS (kg)			
	W	X	Y	Z
Eco Std	356	304	295	391
Eco Opp	349	281	319	398



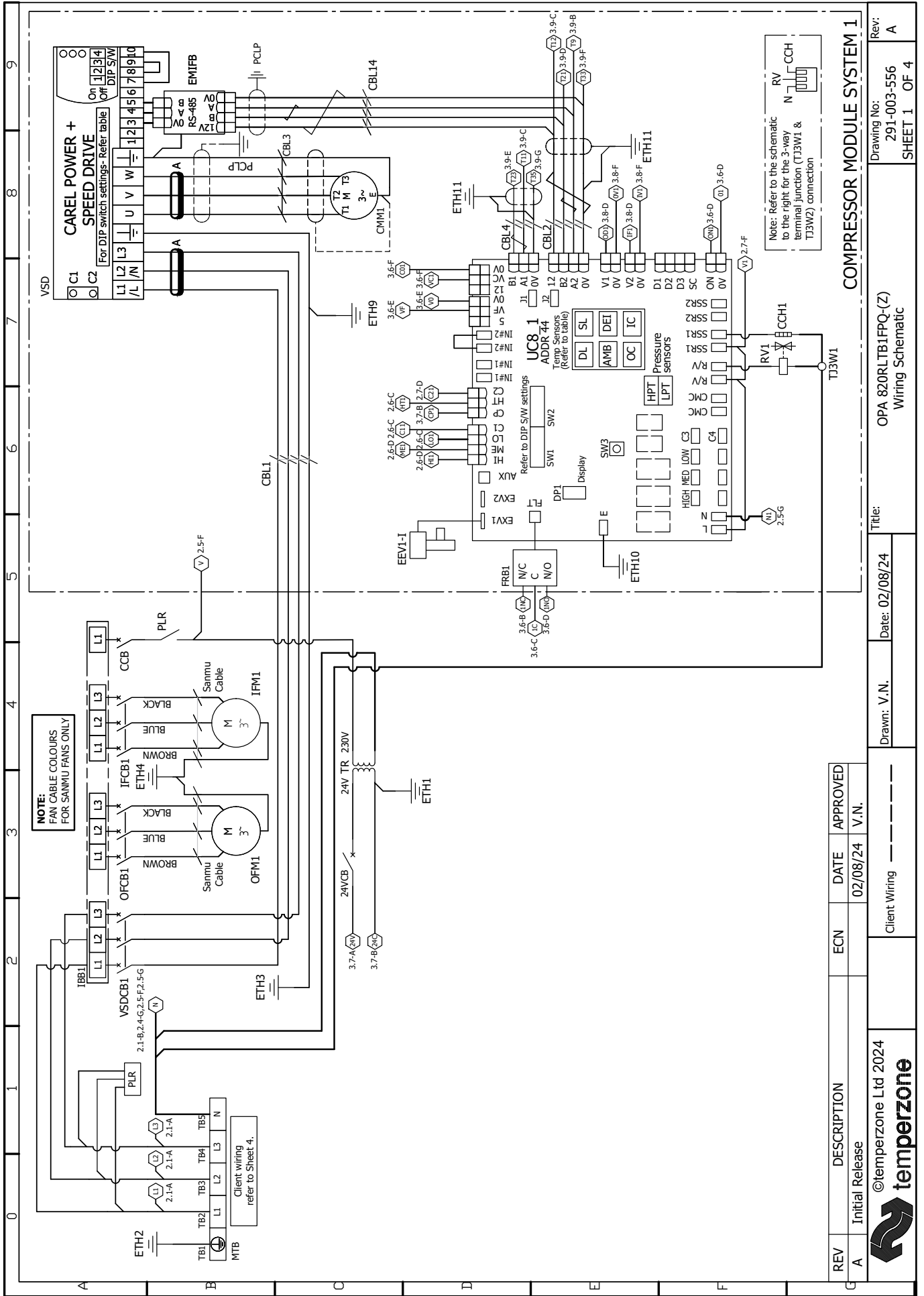
OPA 820RLTB1FPQ23-Z Standard Hand, Downward Supply

Clearances as above



NOTE

Specifications are subject to change without notice due to the manufacturer's ongoing research and development programme.



Rev: A
Drawing No: 291-003-556
SHEET 1 OF 4

Title: OPA 820RLTB1FQ-(Z)
Wiring Schematic

Date: 02/08/24

Drawn: V.N.

DATE APPROVED

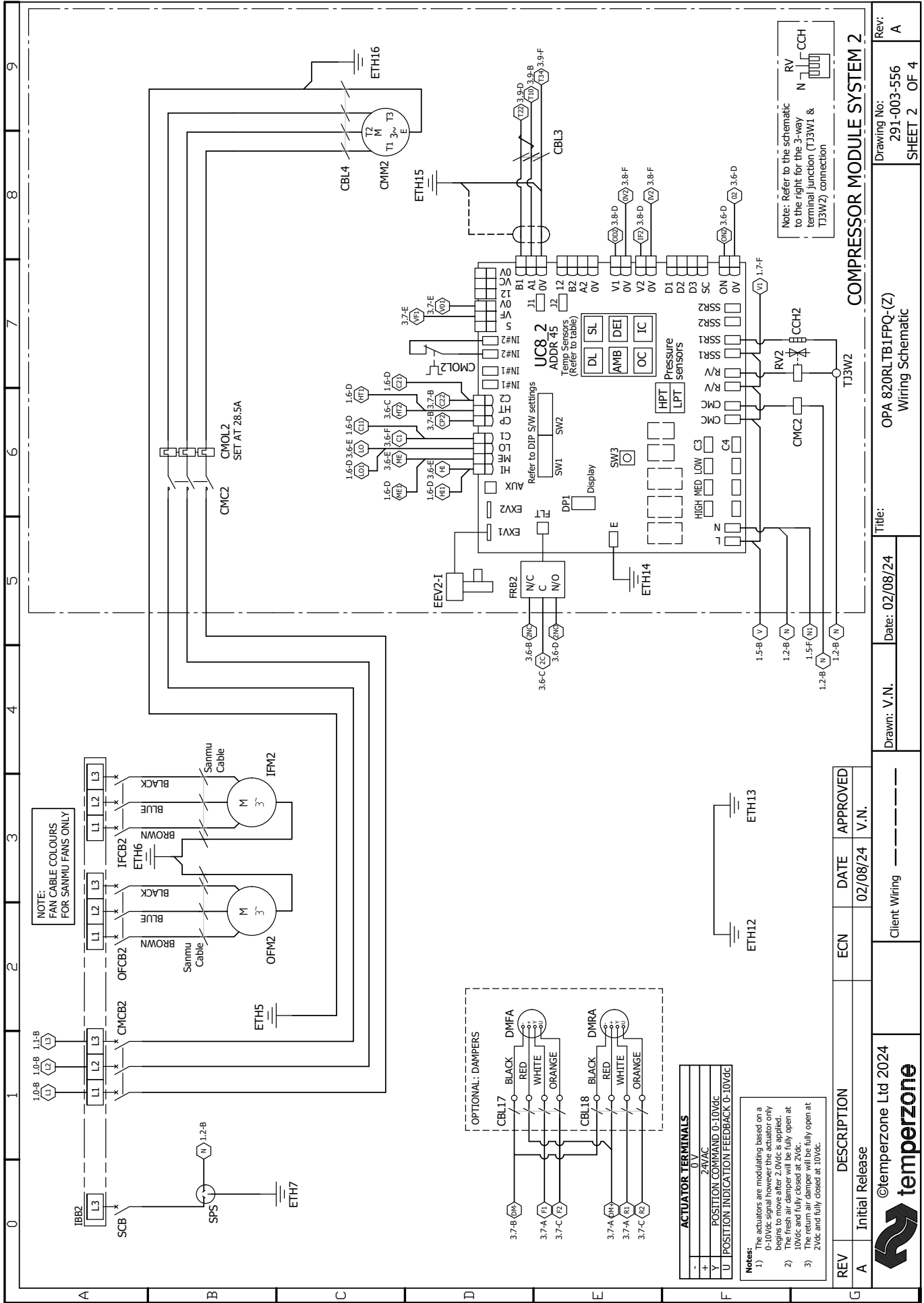
02/08/24

V.N.

Client Wiring

©temperzone Ltd 2024





Note: Refer to the schematic to the right for the 3-way terminal junction (TJ3W1 & TJ3W2) connection

COMPRESSOR MODULE SYSTEM 2

Rev: A
Drawing No: 291-003-556
SHEET 2 OF 4

Title: OPA 820RLTBFPO-(Z)
Wiring Schematic

Date: 02/08/24
Drawn: V.N.

Client Wiring

ECN: 02/08/24 V.N.

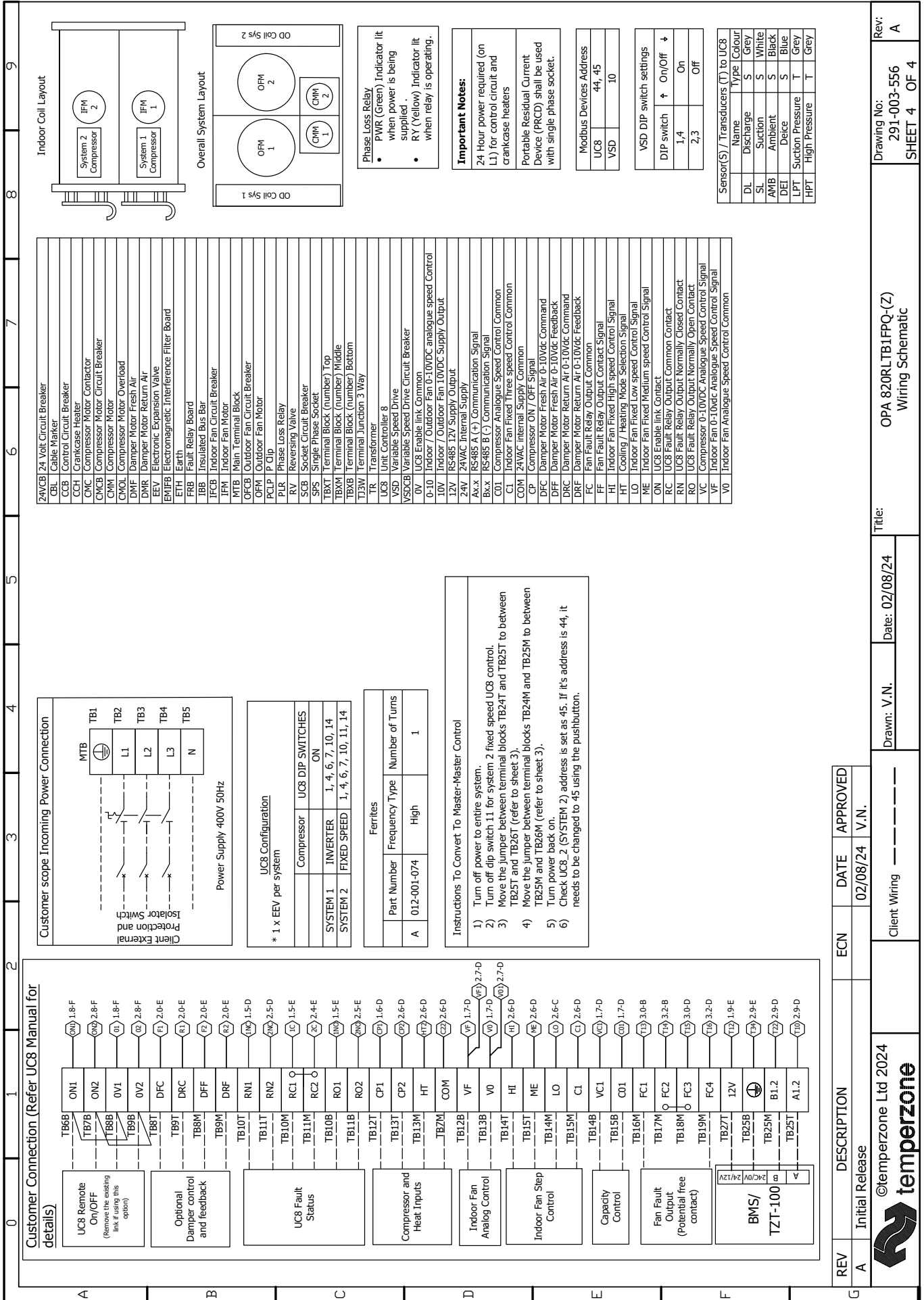
REV	DESCRIPTION	ECN	DATE	APPROVED
A	Initial Release		02/08/24	V.N.



©temperzone Ltd 2024

ACTUATOR TERMINALS	
-	0 V
+	24VAC
Y	POSITION COMMAND 0-10Vdc
U	POSITION INDICATION FEEDBACK 0-10Vdc

- Notes:
- The actuators are modulating based on a 0-10Vdc signal however the actuator only begins to move after 2.0Vdc is applied.
 - The fresh air damper will be fully open at 10Vdc and fully closed at 2Vdc.
 - The return air damper will be fully open at 2 Vdc and fully closed at 10Vdc.



Rev: A
 Drawing No: 291-003-556
 SHEET 4 OF 4

Title: OPA 820RLTB1FPQ-Z
 Wiring Schematic

Date: 02/08/24

Drawn: V.N.

Client Wiring

REV	DESCRIPTION	ECN	DATE	APPROVED
A	Initial Release		02/08/24	V.N.



©temperzone Ltd 2024